

### DRIVER & TRACK

DRIVER	DATE
TRACK	GRIP

### DRIVE TRAIN

<input type="checkbox"/> SPOOL	RR DIFF	cst
<input type="checkbox"/> FR DIFF		cst

### FR SHOCK ABSORBERS RR

OIL	cst	OIL	cst
SPRINGS		SPRINGS	
PISTON		PISTON	

### RATIO CONFIGURATION

SPUR GEAR	teeth	PINION	teeth
FINAL DRIVE RATIO		ROLL OUT	mm

### TYRES

FR	<input type="checkbox"/> RUBBER F1 TYRES	RR
<input type="checkbox"/> SOFT	HARDNESS	<input type="checkbox"/> SOFT
<input type="checkbox"/> MEDIUM		<input type="checkbox"/> MEDIUM
<input type="checkbox"/> HARD		<input type="checkbox"/> HARD

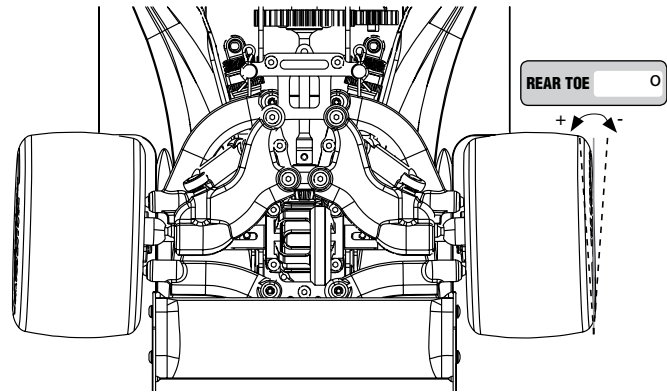
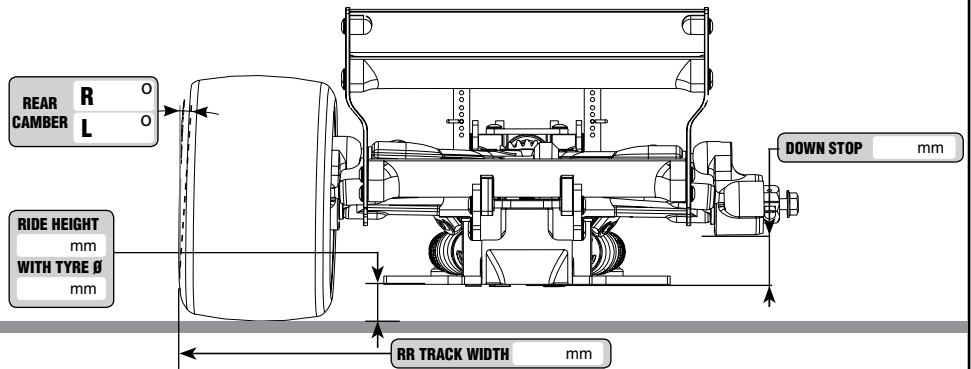
FR	<input type="checkbox"/> FOAM TYRES	RR	
	MAKE		
	SHORE		
	mm	DIAMETER	mm

### ELECTRONICS

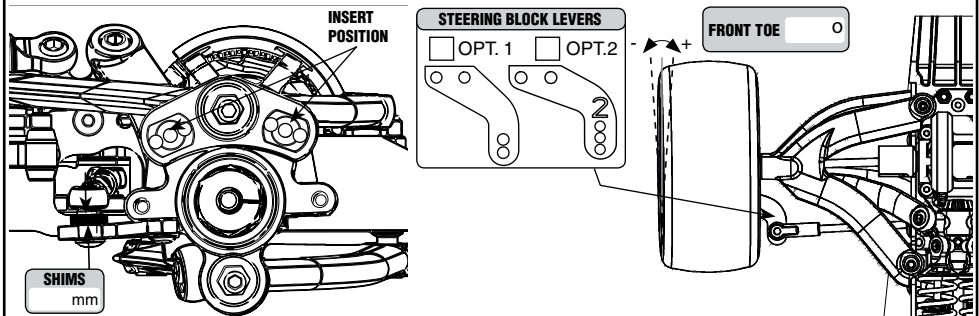
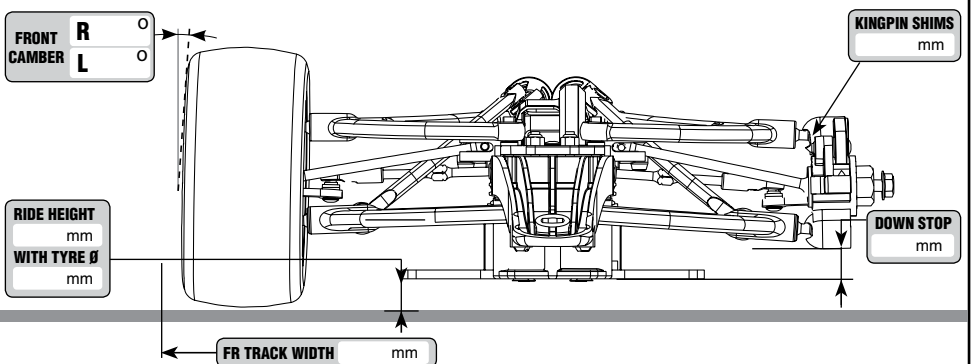
BATTERY	
BRAND	CAPACITY mAh
MOTOR	
BRAND	TIMING
ESC	
BRAND	TYPE

### REMARKS

### REAR SETUP



### FRONT SETUP



RR

### AERODYNAMIC CONFIGURATION

FR

