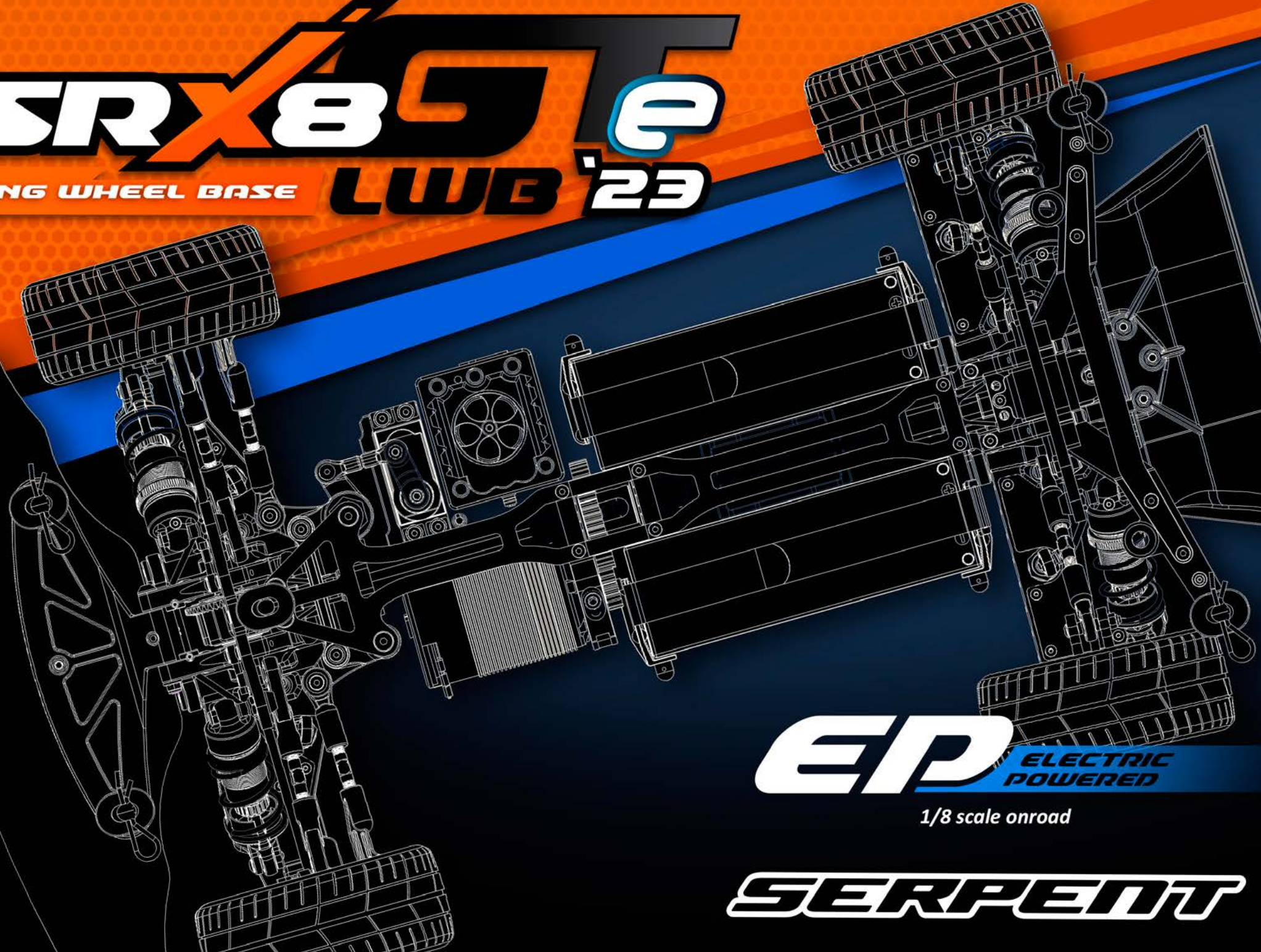


SRX8GT^e

LONG WHEEL BASE LWB '23



EP ELECTRIC POWERED

1/8 scale onroad

SERPENT

INTRODUCTION

Thank you very much for selecting this Serpent rc car and thus become a member of the ever growing worldwide Serpent racing family. Serpent started in 1980 and has been growing its product-line and fan-base ever since.

The Serpent SRX8 GTE LWB '23 is a state of the art 1/8 scale 4wd GT which will give you the true Serpent racing experience. The assembly manual will guide you through all the steps to complete the car, so you can hit the track with a good base-set-up soonest. The Serpent design department succeeded to create a superbly performing car combined with ease of assembly and maintenance. The high quality standards of all parts and hardware will make racing your Serpent car a very rewarding activity!

Through our team, website and social media we will keep you up-to-date on all developments of the Serpent cars. We hope to meet you on the track and through our various media! Enjoy the drive!

Team Serpent
Multiple World Champions

INSTRUCTIONS

Serpent's long tradition of excellence extends to the instruction manuals, and this instruction manual is no exception. The easy-to-follow layout is richly illustrated with 3D-rendered full-color images to make your building experience quick and easy. Following the instructions will result in a well-built, high-performance race-car that will soon be able to unleash its full potential at the racetrack. The kit includes bags, with bag numbers, which refer to the same step in the manual. Open only the indicated bag(s) per step and finish that part of the assembly. Remaining parts will be needed later on in the assembly process.

PLASTIC PARTS

The Serpent moulded parts are very durable and hard. When assembling longer screws in new composite parts, make sure to use new hex bits in your (power) tools. Pre-threading also helps to avoid screw damage.

SETUP

In certain assembly steps you need to make basic adjustments, which will give you a good initial setup for your Serpent SRX8 GTE LWB '23. Fine-tuning the initial setup is an essential part of building a high-performance race car like your Serpent SRX8 GTE LWB '23.

EXPLODED VIEWS AND PARTS LIST

The exploded views and parts lists for the Serpent SRX8 GTE LWB '23 are presented in the Reference Guide section in the back of this manual. The exploded views show all the parts of a particular assembly step along with the Serpent part number and hotlink to the Serpent website. Part numbers in orange indicates that this part is an optional. Optional part names and numbers are showed below.

CUSTOMER SERVICE

Serpent has made a strong effort to make this manual as complete and clear as possible. Additional info may be published in our website: www.serpent.com or you may ask your dealer or the Serpent distributor for advice, or email Serpent direct: info@serpent.com. The Serpent Facebook, Twitter and Youtube pages give additional means of support and communications.

SAFETY

Read and take note of the 'Read this First section' before proceeding to assemble the car-kit. This car-kit is intended for persons aged 16 or older.

READ THIS FIRST!

- This is a highly technical hobby product, intended to be used in a safe racing environment. This car is capable of speeds in excess of 80 km/h or 50mph. Please follow these guidelines when building and operating this model.
- Parental guidance is required when the builder/user of this car is under 16.
- Follow the building instructions. If in doubt, contact your dealer or importer.
- Be sure to use the proper tools when assembling the car. Always exercise caution when using electric tools, knives and other sharp objects.
- Be careful when using liquids like lubrication oil, fuel or glue. Do not swallow.
- Follow the manufacturer's instruction in case you experience irritation after using the product.
- Be careful when operating the car. Stay away from any rotating parts such as wheels, gears and transmission. Stay away from motor, engine and exhaust pipe system or speedo during and immediately after use, as these parts may be very hot. We advise to use protective hand gloves.
- Only operate this car in a safe environment, like a special racing track or a closed parking lot. Avoid using this car on public roads, crowded places or near infants.
- Before operating this car, always check the mechanical status of the car. Also check that the transmitter and receiver frequencies correspond and are not used by any other racer at the same time. Check that the batteries of the transmitter and receiver- are fully charged.
- After use, always check all the mechanics of the car. We advise to clean the car immediately after use, and inspect the parts for wear or fractures. Replace when necessary. Do not use water, methanol, thinner or other solvents to clean the car.
- Empty the fuel tank (depending on model) if needed and disconnect the receiver battery.
- Store the car in a dry and heated place to avoid corrosion of metal parts.
- Avoid using this car in wet conditions as the water will cause corrosion on the metal parts and bearings and these parts will cease to function properly. If driven in the wet, ensure that all the electric equipment is waterproofed and after use, that all moving parts are dried immediately.

CONTENTS

• FR/RR DIFF ASSEMBLY	4
• SOLID AXLE ASSEMBLY	6
• CENTRAL ASSEMBLY	7
• REAR ASSEMBLY PAGE	9
• FRONT ASSEMBLY	16
• STEERING ASSEMBLY	22
• ELECTRONICS ASSEMBLY	25
• SHOCKS ASSEMBLY	28
• FINAL ASSEMBLY	32
• EXPLODED VIEWS	36
• TEAM SERPENT NETWORK	46

LINES DESCRIPTION

Each step contains a variety of numbers, lines, and symbols. The numbers represent the order in which the parts should be assembled. The lines are described below.



Step number; the order in which you should assemble the indicated parts



Length after assembly



Assembly path of one item into another



Group of items (within lines) should be assembled first



Direction the item should be moved



Glue one item to another



Press/insert one item into another



Connect one item to another



Gap between two items

ICONS DESCRIPTION

Each step contains a variety of symbols described below.



Carefully, read and check very well.



Apply a small amount of cyano glue. Use wear protection for eyes and hands.



Detail view to explain assembly or order of parts better.



Default set-up: This symbol indicates the default setup.



Grease: apply a small amount of grease to the parts shown.



Left and right parts should be assembled in the same way.



Thread lock: apply a small amount on the parts shown. Before to apply the threadlock, make sure to degrease the parts very well, as otherwise the threadlock will not work.



Silicone oil: use the indicated silicone oil for the shocks and differentials.



Parts or items not included in the kit.

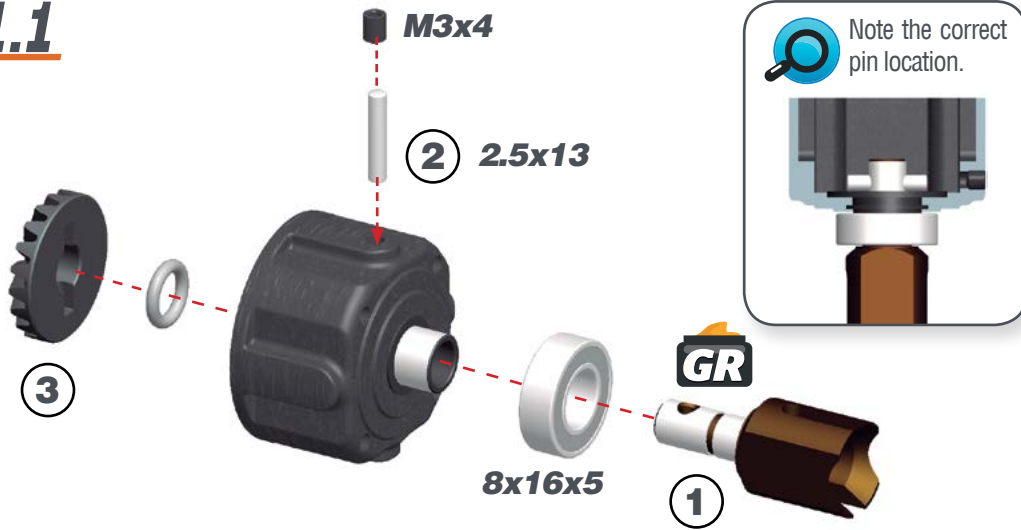


Optional part, not standard in the kit.

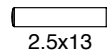
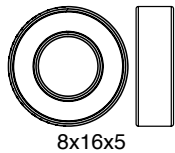
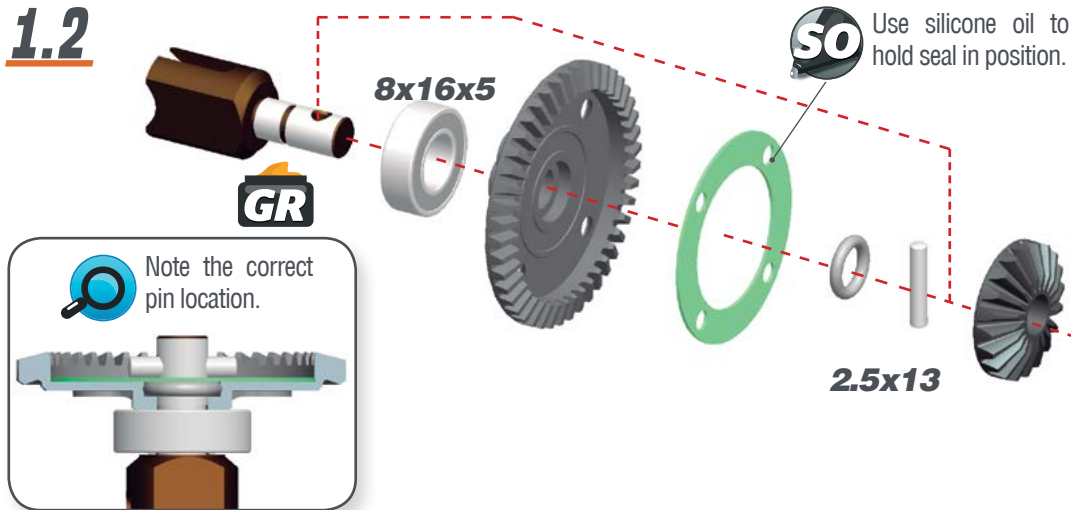
STEP 1

DIFF BAG FR/RR

1.1



1.2



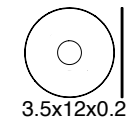
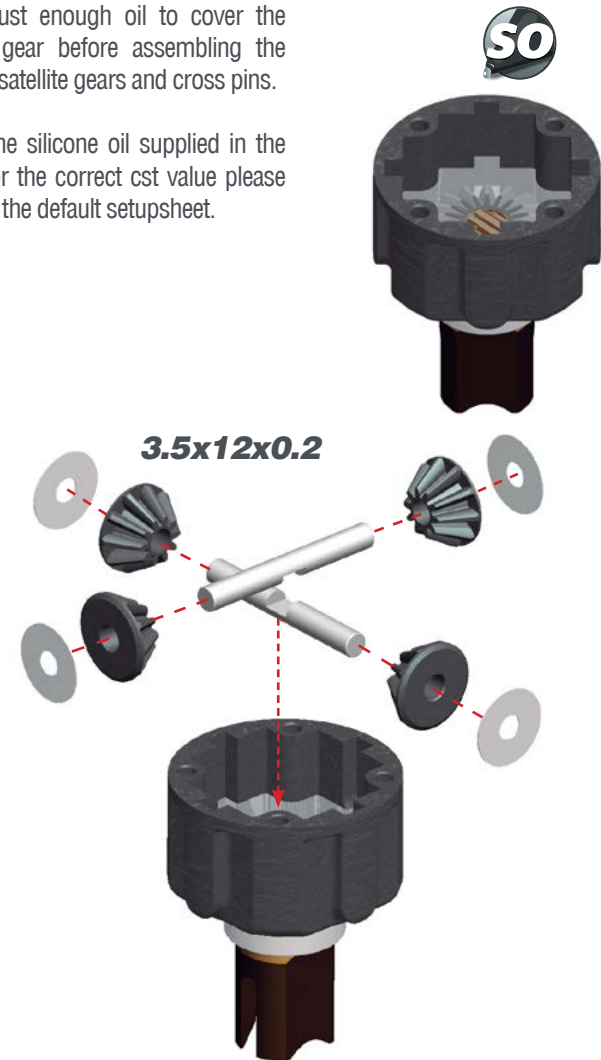
STEP 2

2.1

Add just enough oil to cover the large gear before assembling the small satellite gears and cross pins.

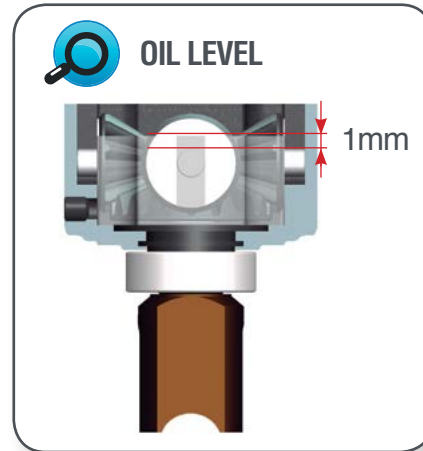
Use the silicone oil supplied in the kit. For the correct cst value please check the default setupsheet.

2.2



STEP 3

! Fill the differential with silicone oil 1 mm above the crosspin, do NOT overfill. Use the silicone oil supplied in the kit. For the correct cst value please check the default setupsheet.



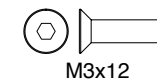
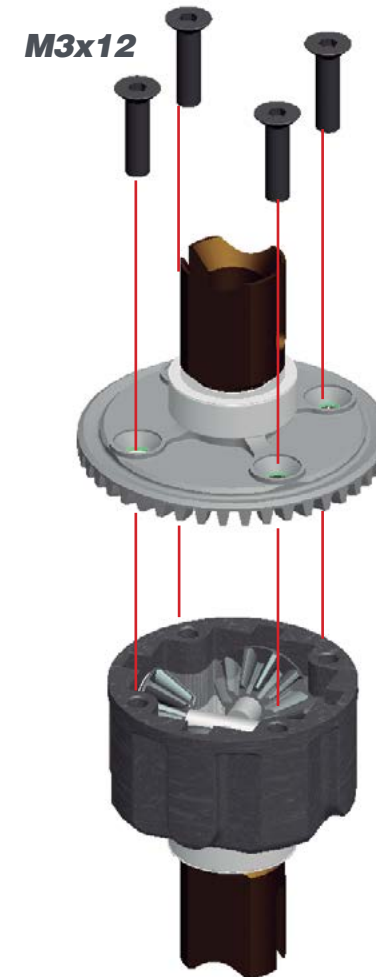
AMOUNT OF OIL IN THE DIFFS

Use a digital scale to measure the exact amount of oil in the diff.

Differential weight should be 45.7-45.8 grams.

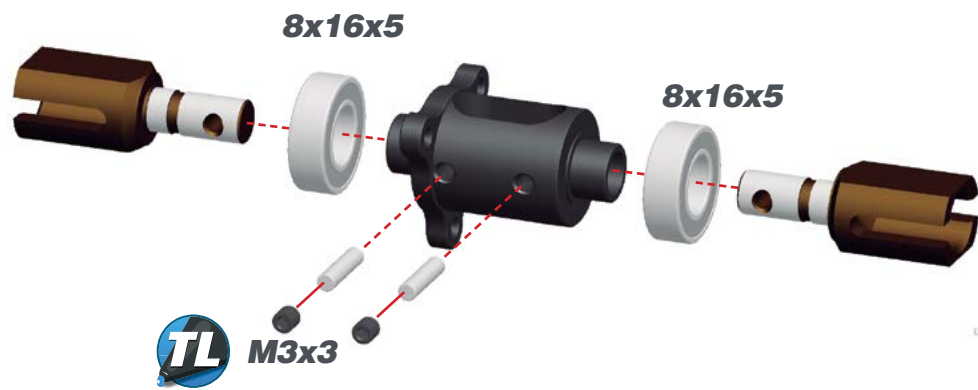


STEP 4

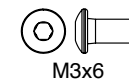
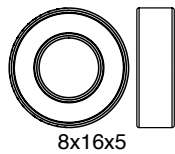
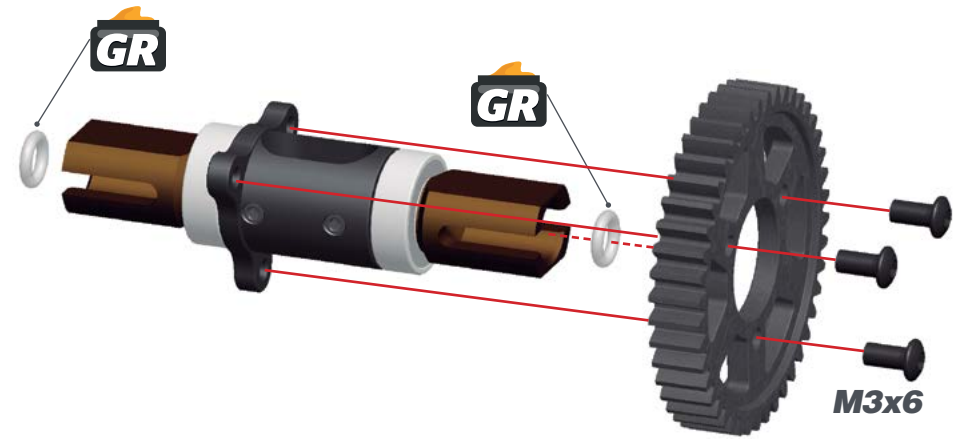


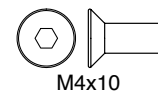
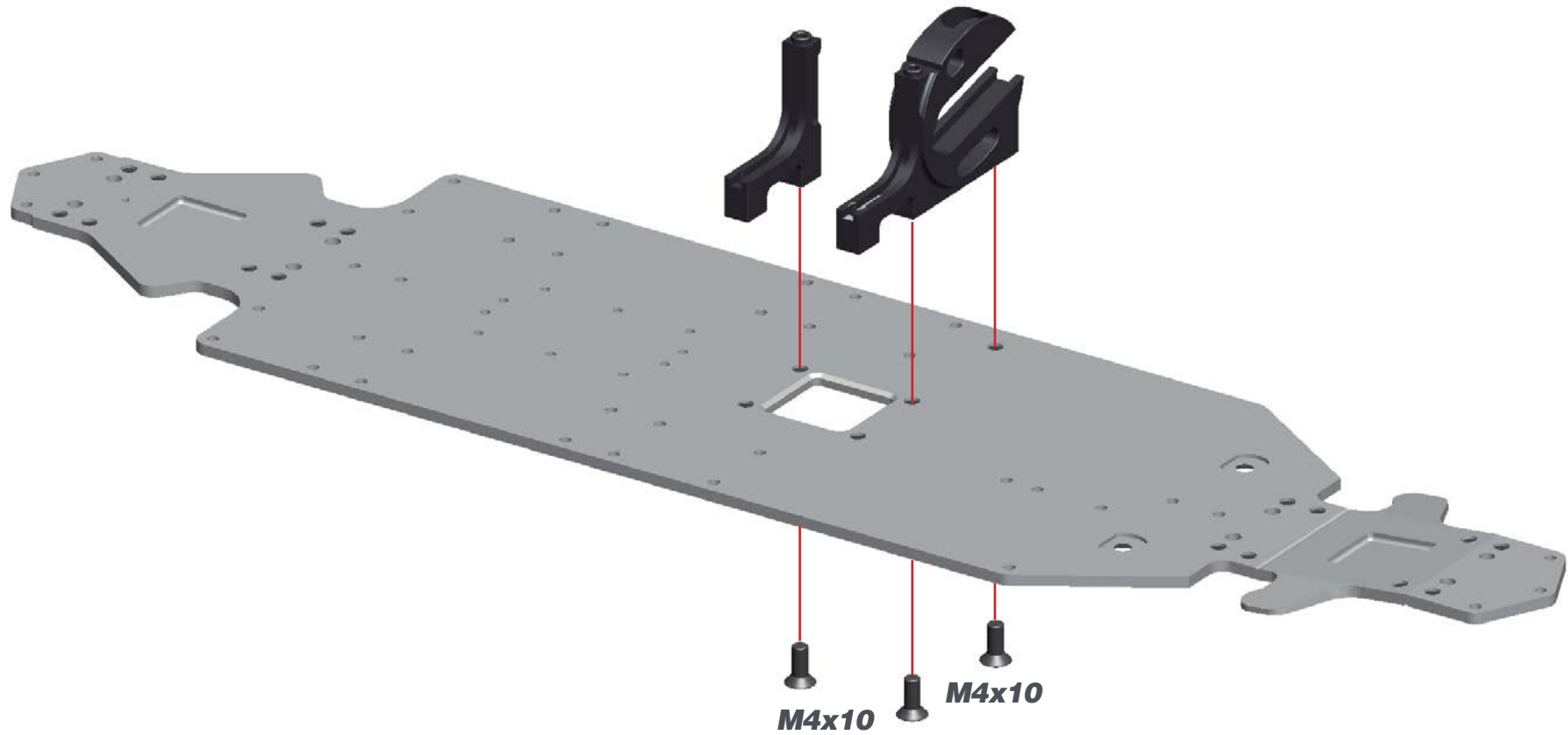
STEP 5

SOLID AXLE BAG

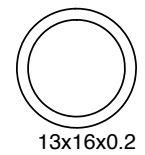
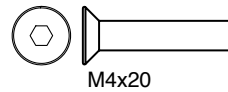
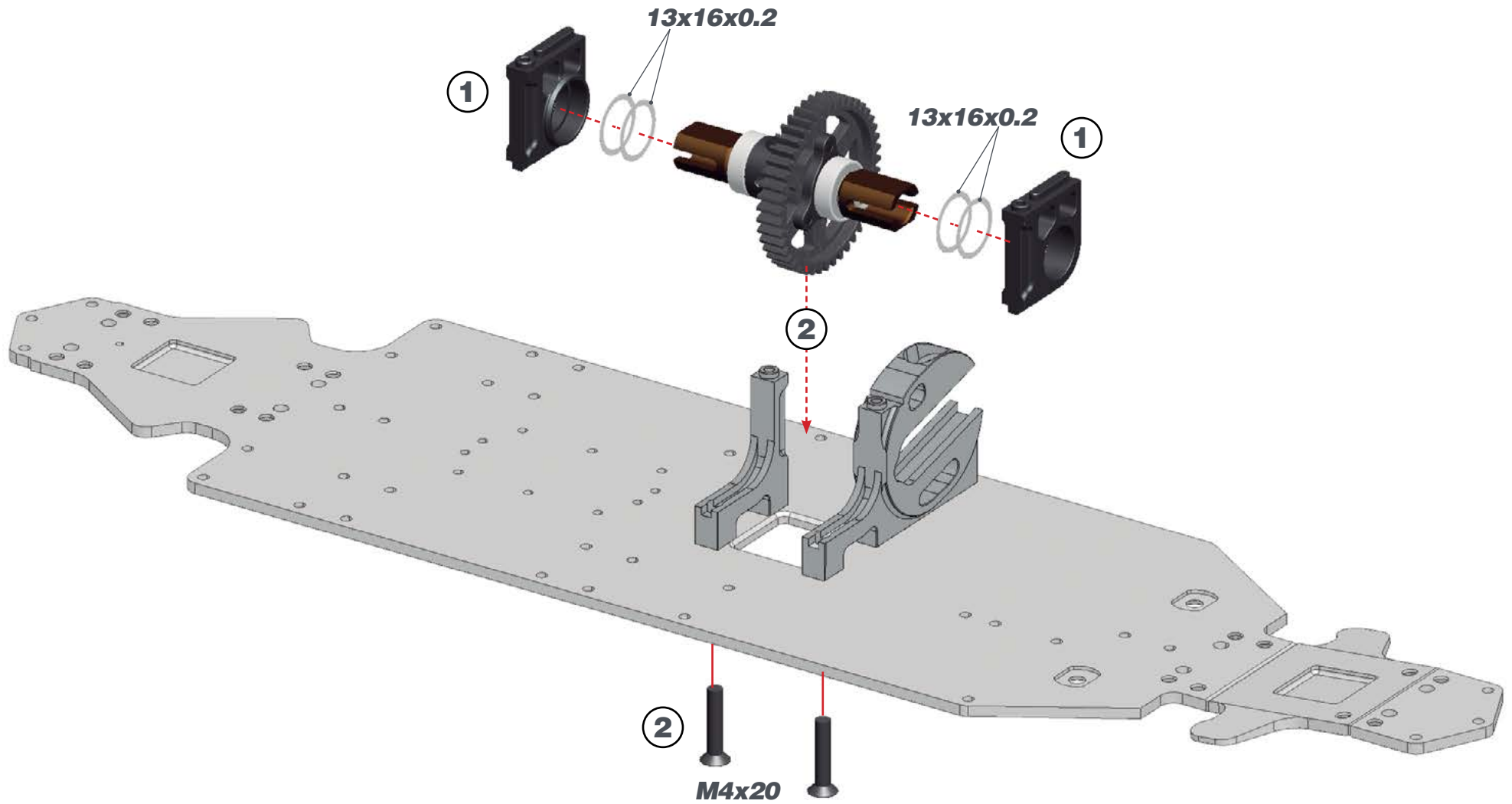


STEP 6





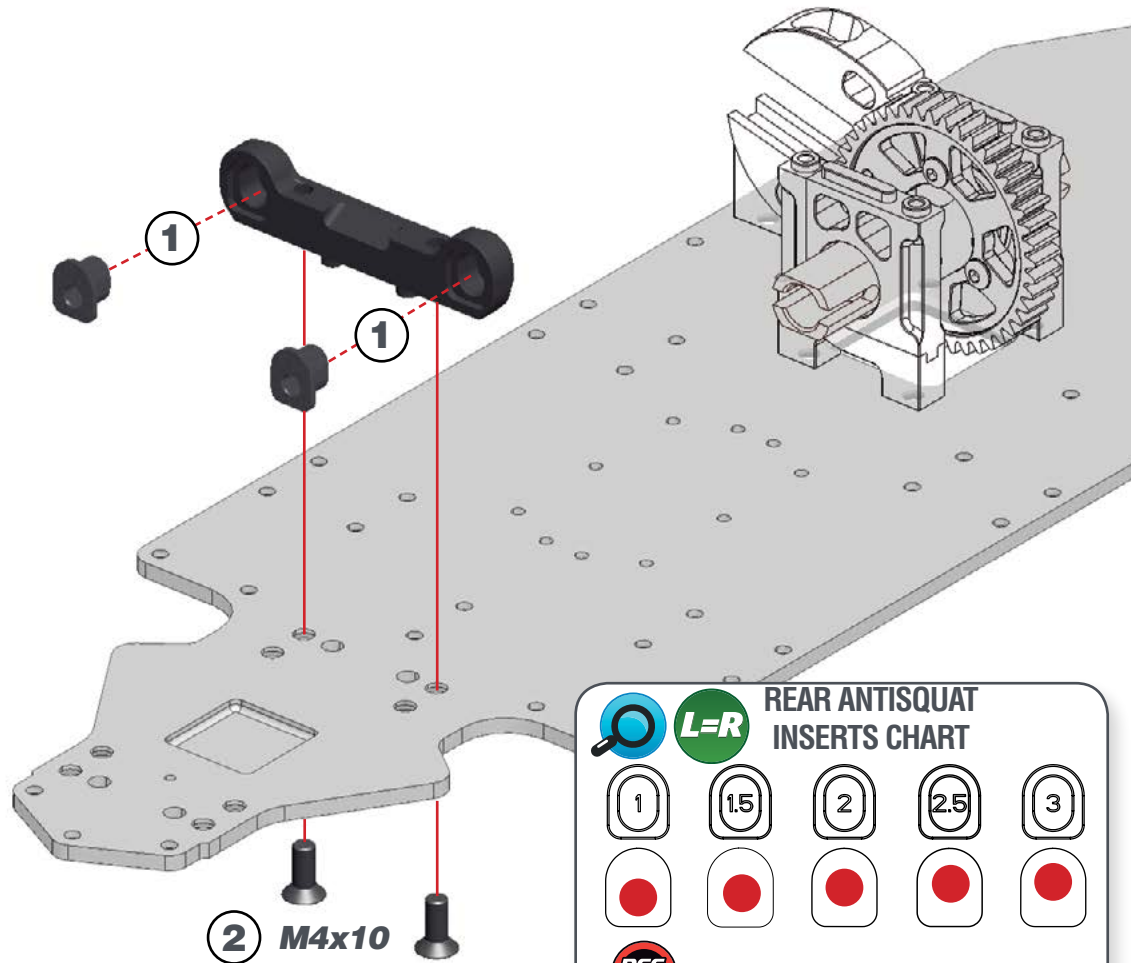
STEP 8



STEP 9

BAG 2

STEP 10

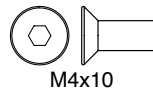


REAR ANTISQUAT INSERTS CHART

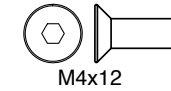
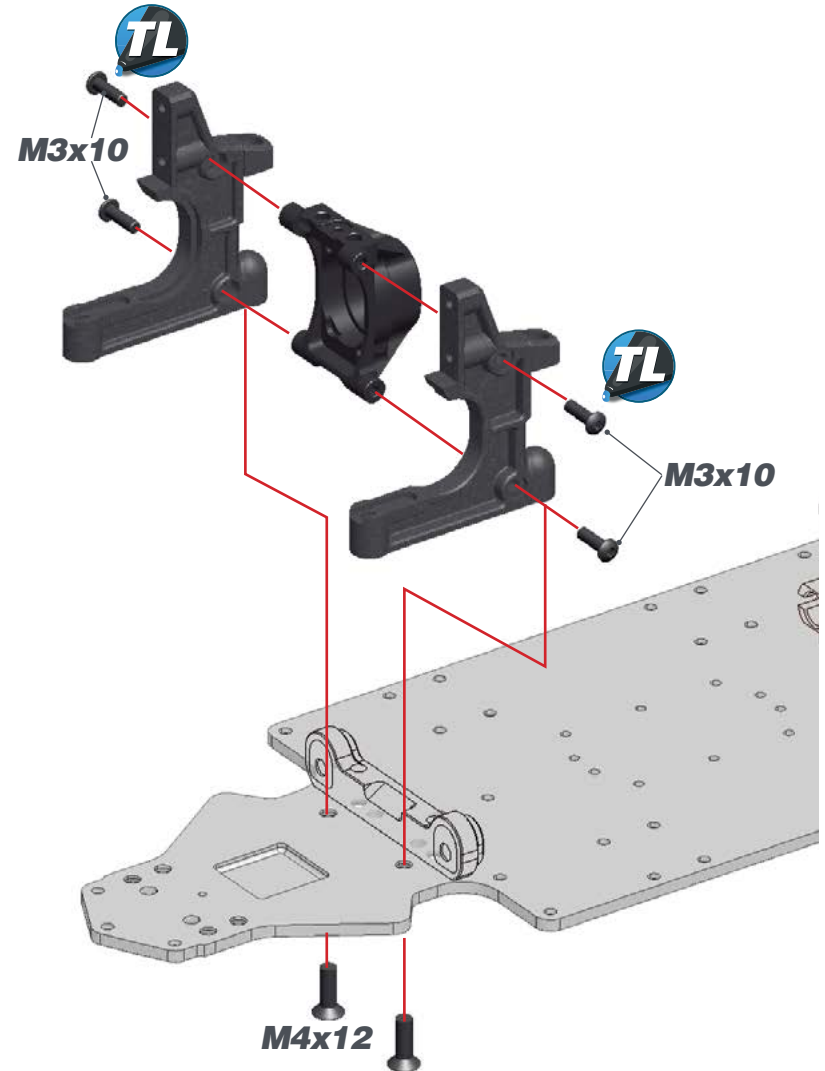
L=R

1	1.5	2	2.5	3
●	●	●	●	●

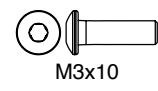
DEF. SETUP



M4x10



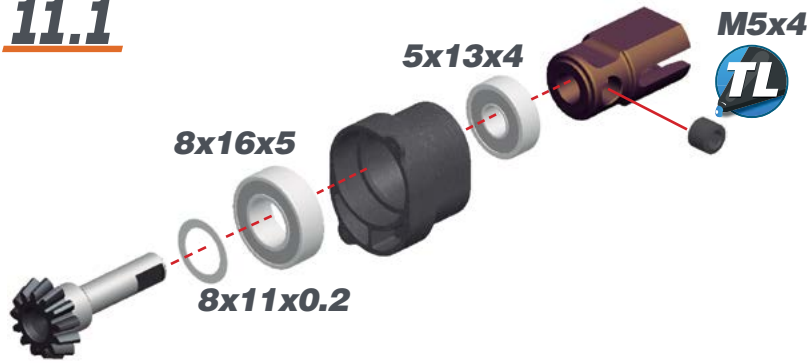
M4x12



M3x10

STEP 11

11.1



INDRIVE BRACKETS CHART
 Assemble the indrive bracket accordingly to the diff insert assert mouted in the step 18.

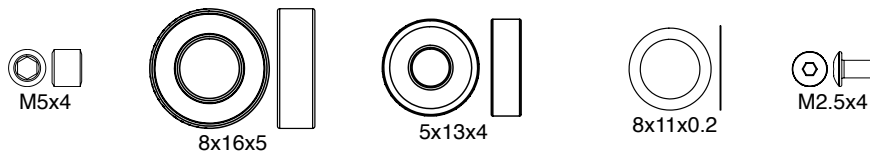
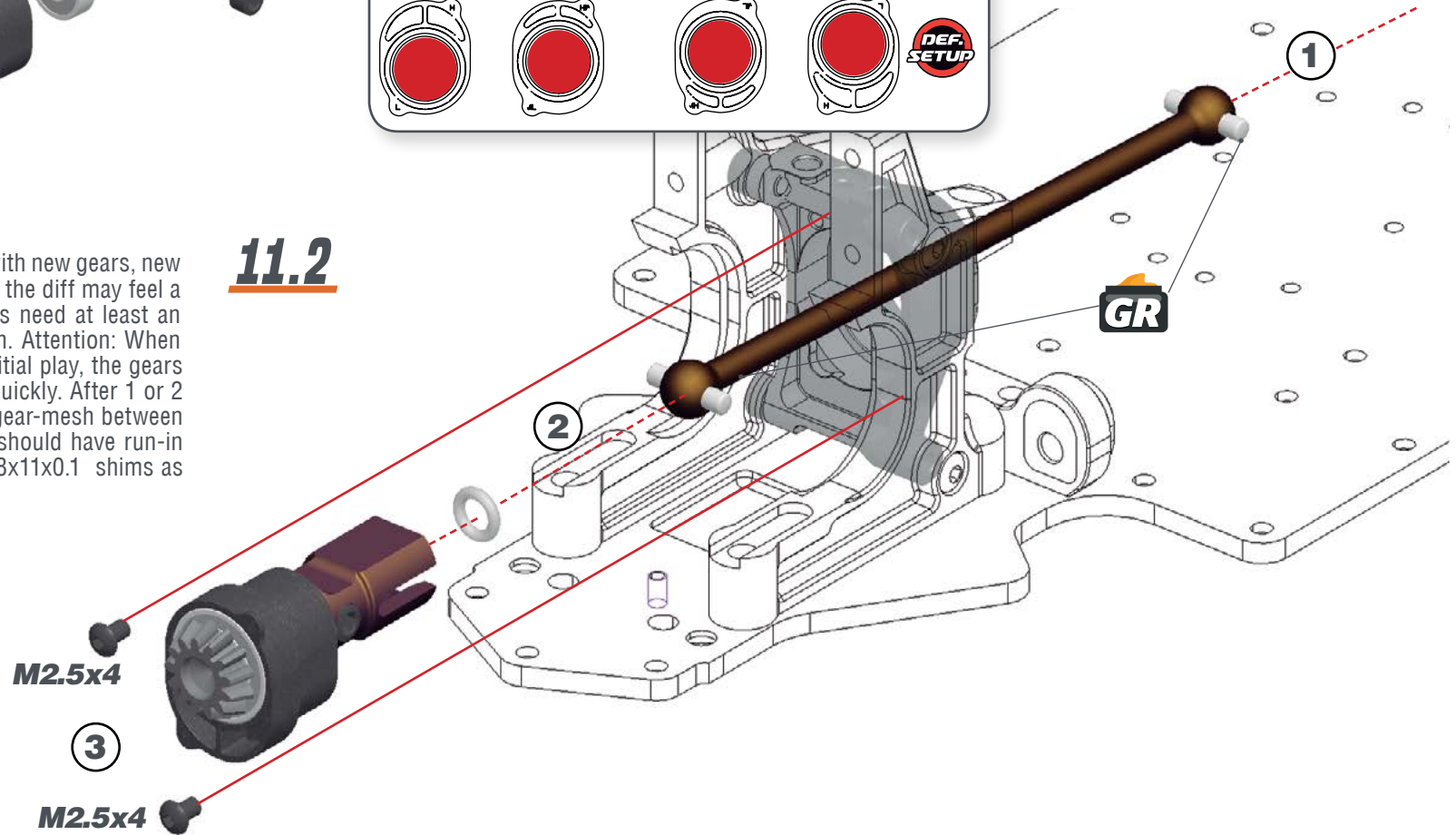
LOW	MID	LOW	MID	HIGH	HIGH

DEF. SETUP



After building the differential with new gears, new differential case and bearings, the diff may feel a little tight. The connected parts need at least an hour run-time to create a perfect match. Attention: When you assemble the diff with too much initial play, the gears will not run-in properly and may wear quickly. After 1 or 2 hours of running the car, re-check the gear-mesh between the ring gear and the pinion. All parts should have run-in properly now. You may add or remove 8x11x0.1 shims as needed.

11.2



STEP 12

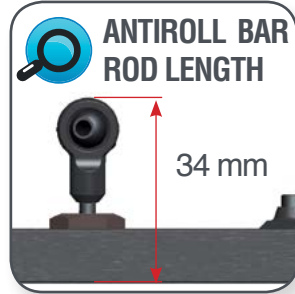
BAG 3

STEP 13

12.1 L=R



Tighten anti-roll bar cap until there is no play, and it moves freely.



12.2

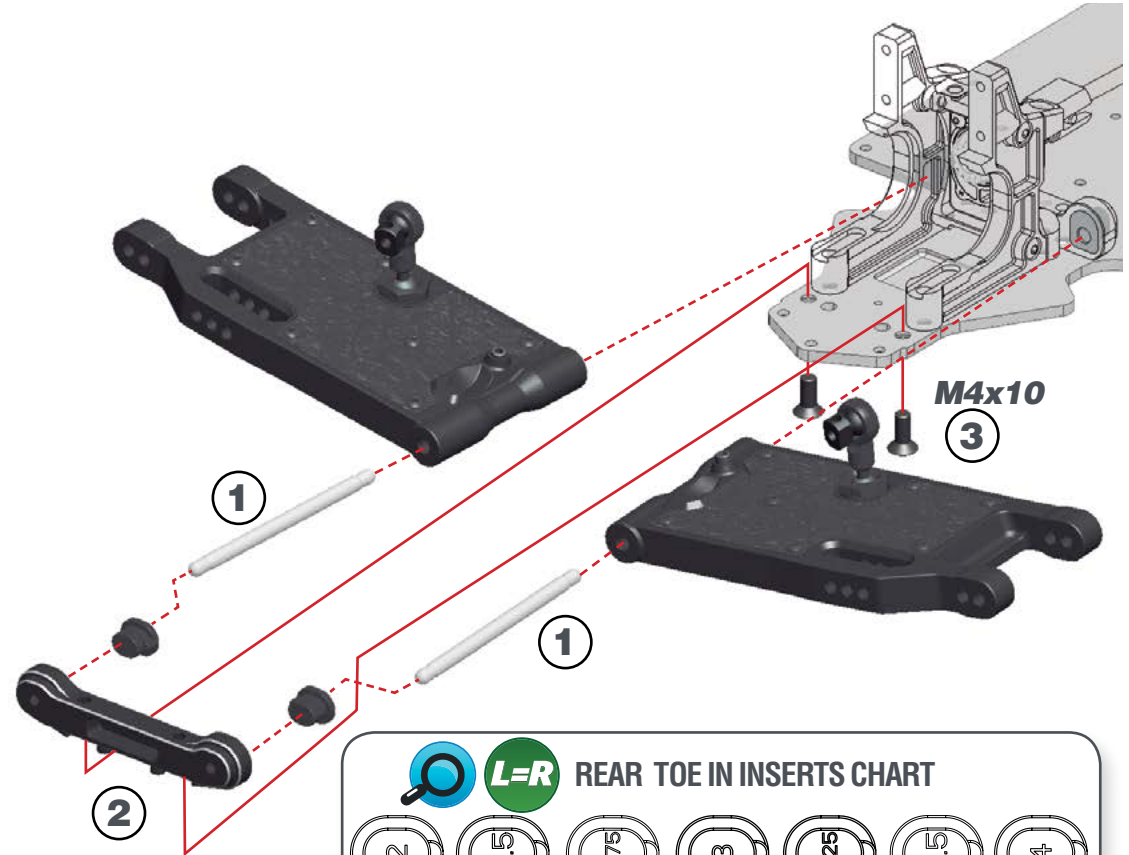
M2.5x6



M2.5x6



M2.5x6



M4x10

3

1

1

2

L=R REAR TOE IN INSERTS CHART

DEF. SETUP

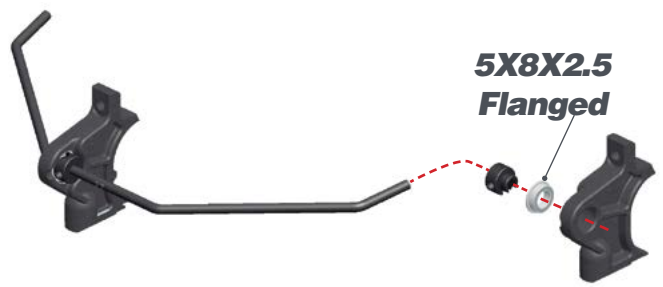


M4x10

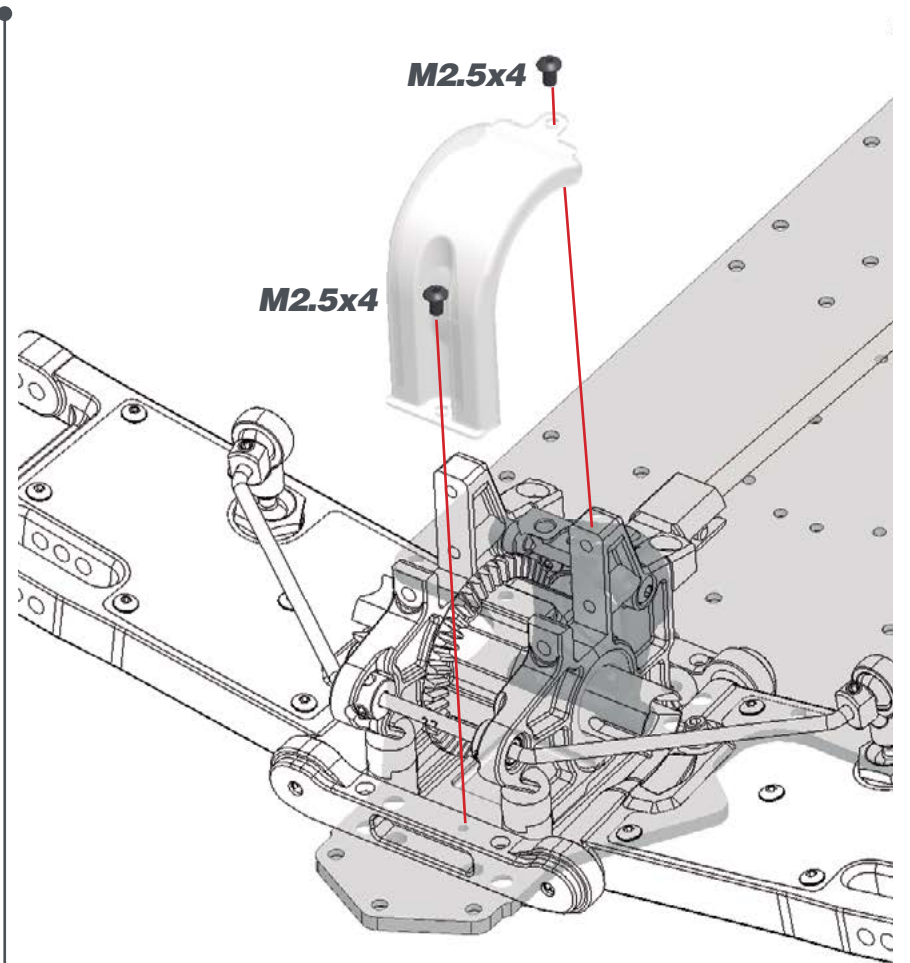
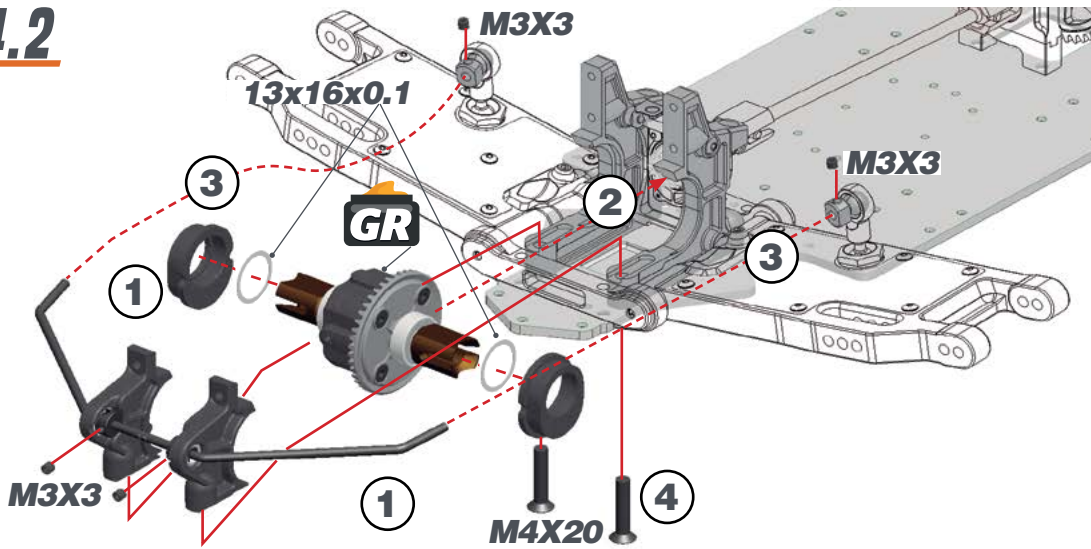
STEP 14

STEP 15 BAG 4

14.1



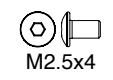
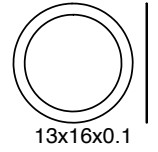
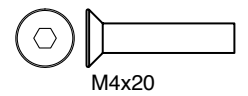
14.2



DIFF INSERTS CHART

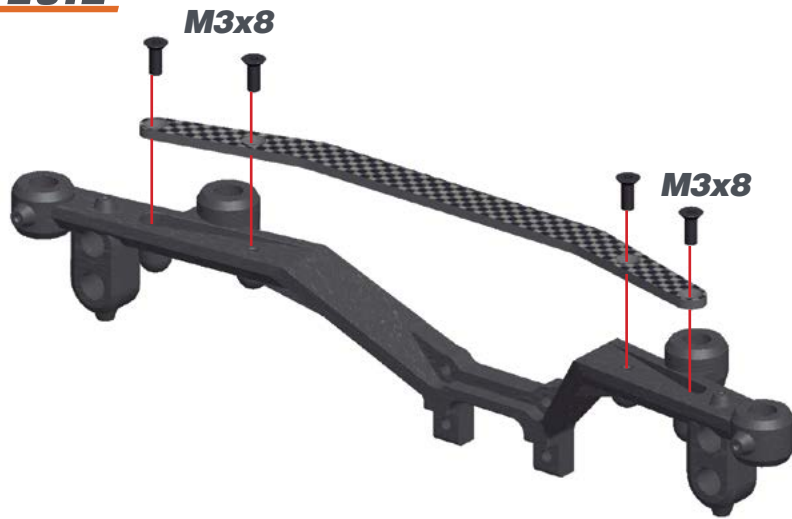
DEF. SETUP

	LOW		MID LOW		MID HIGH		HIGH
--	------------	--	----------------	--	-----------------	--	-------------

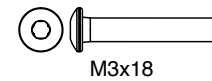
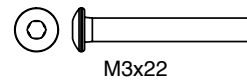
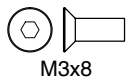
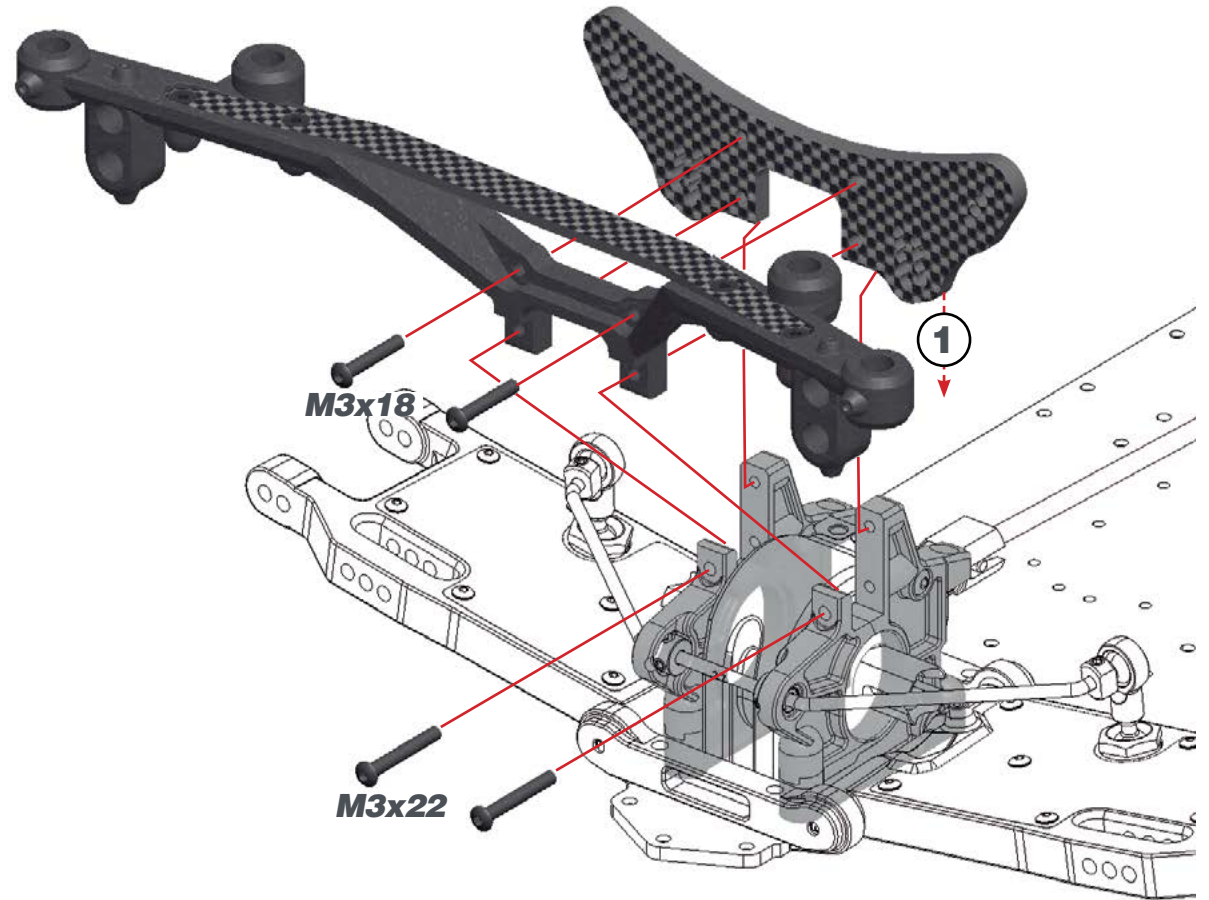


STEP 16

16.1

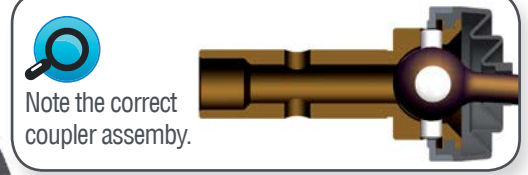
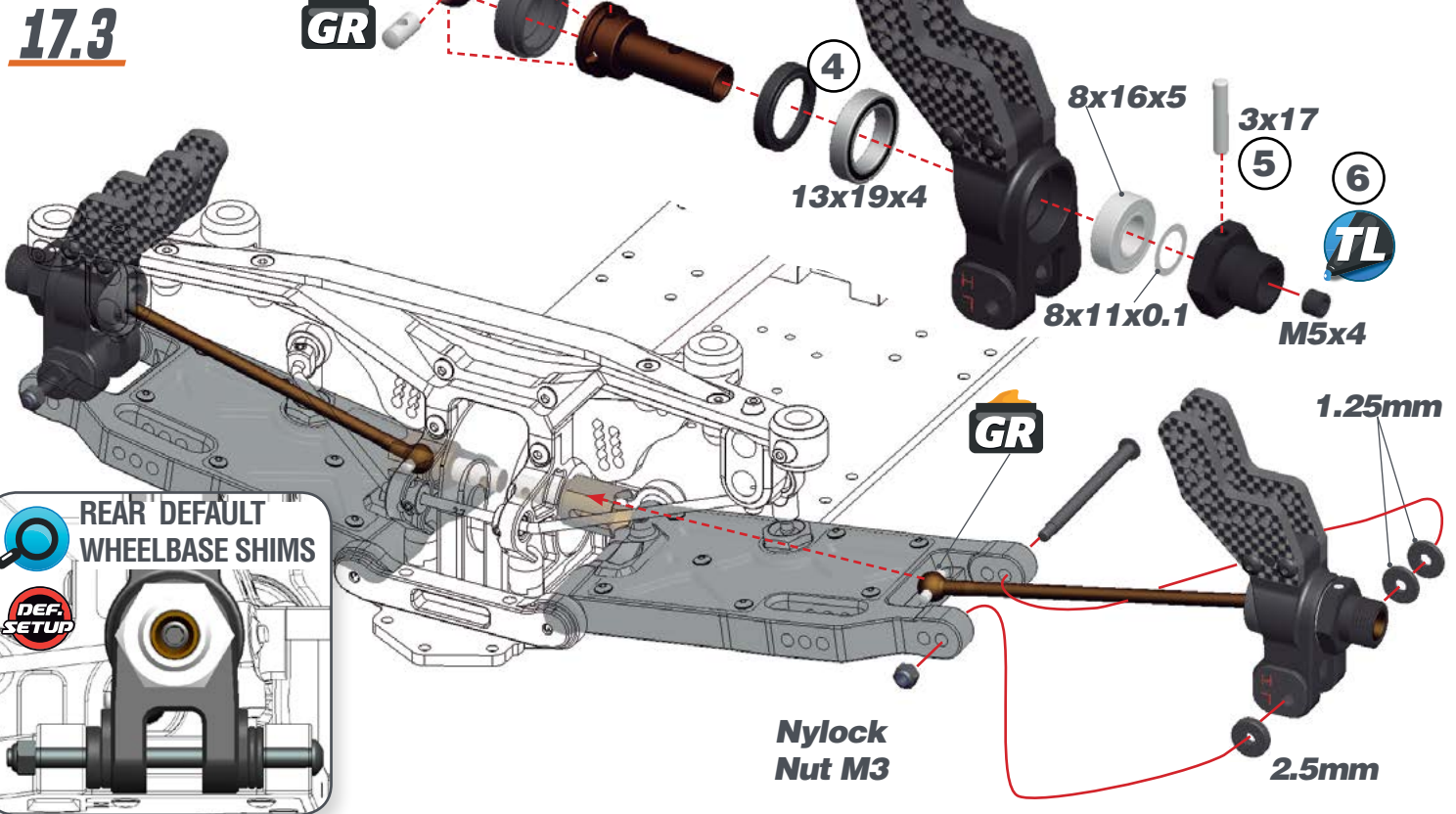


16.2



STEP 17

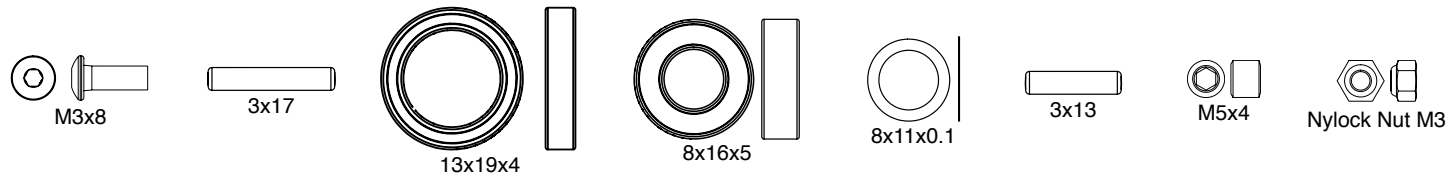
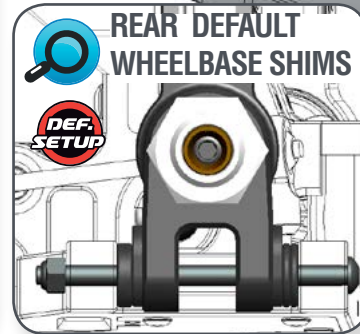
BAG 5



REAR UPRIGHT ROLL CENTER INSERTS CHART

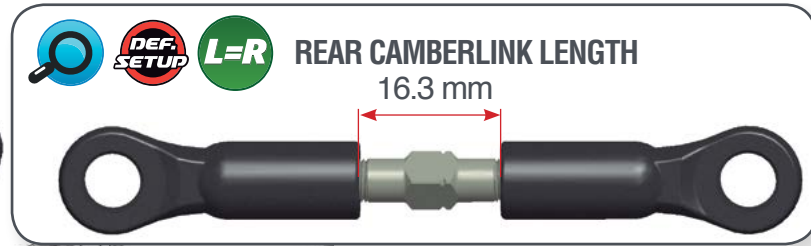
NARROW		WIDE	
L H	L H	L H	L H
ML HW	ML HW	ML HW	ML HW
MH TW	MH TW	MH TW	MH TW
H T	H T	H T	H T

DEF. SETUP

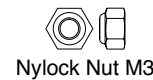
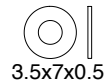
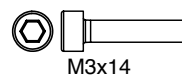
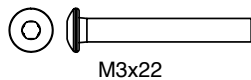
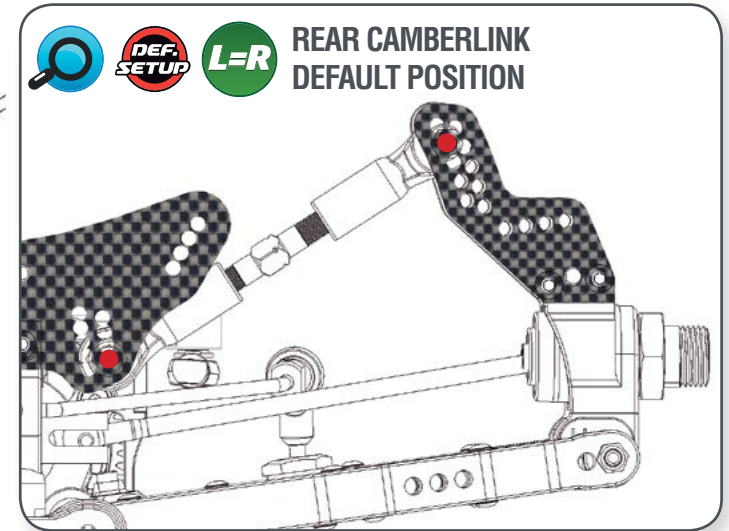
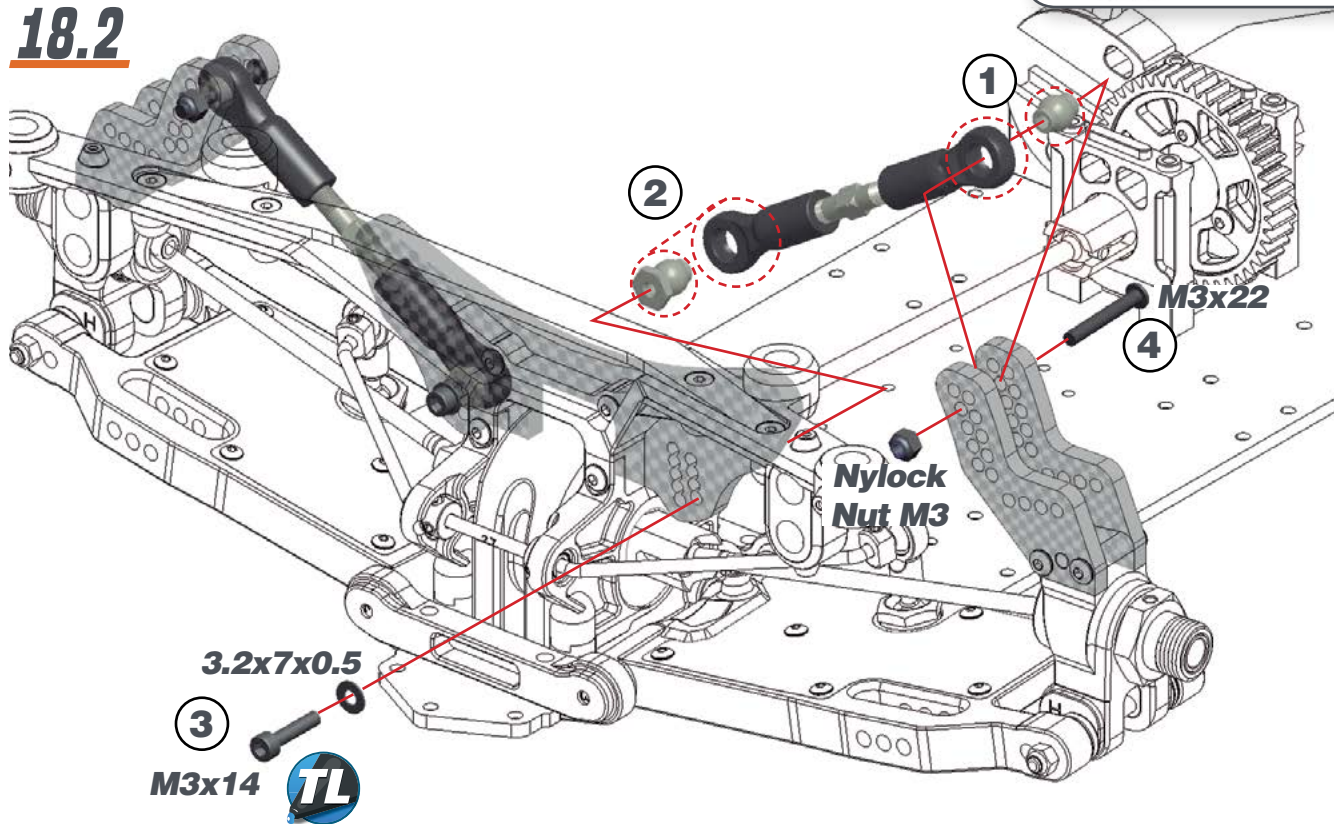


STEP 18

18.1

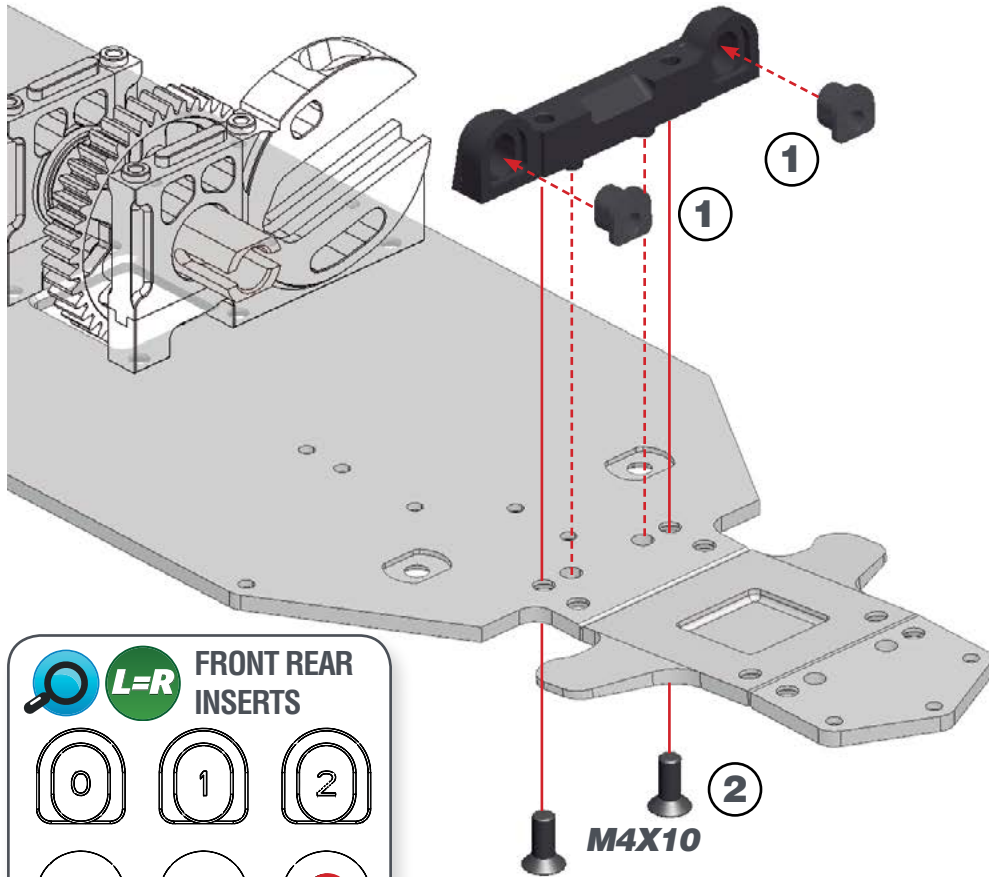



18.2





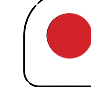
STEP 19

BAG 6

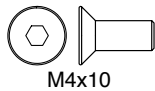


 **L=R** FRONT REAR INSERTS

0 1 2

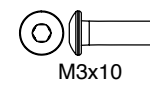
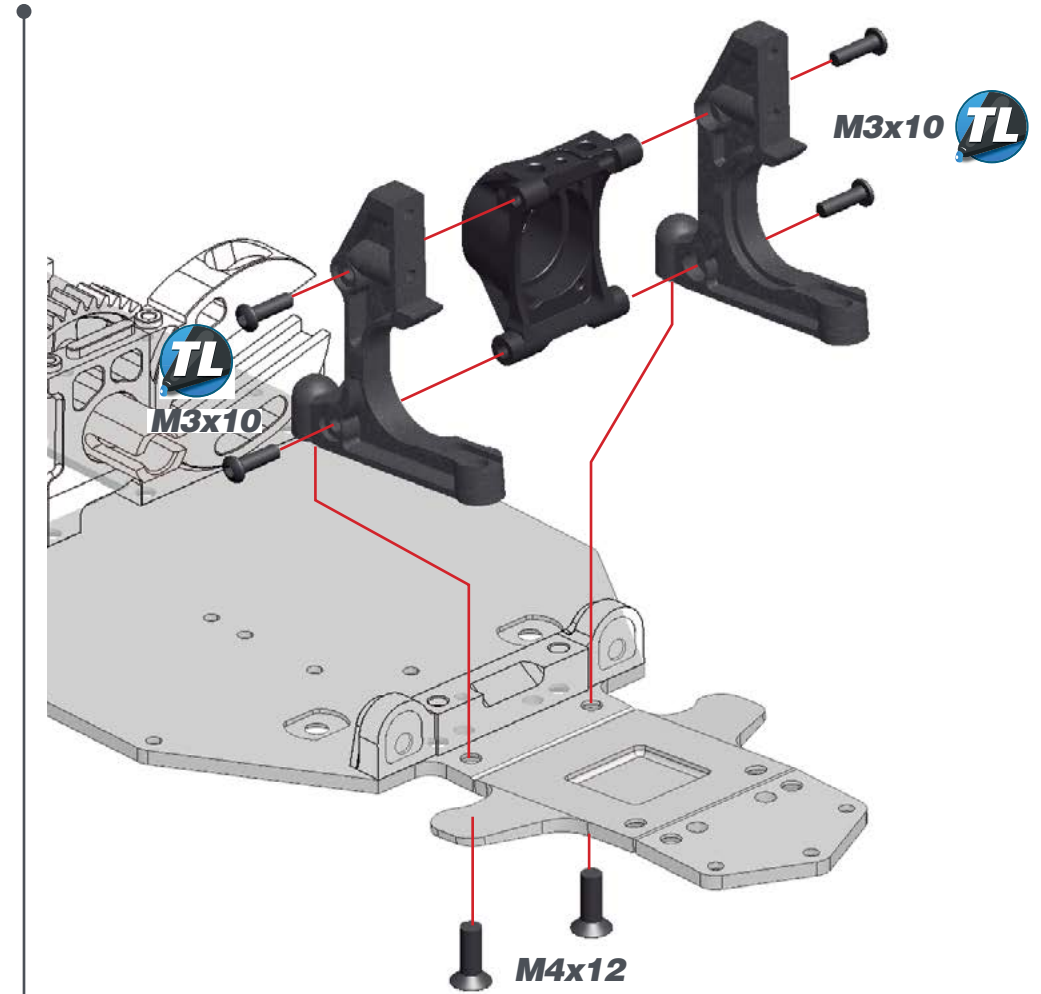
  

DEF. SETUP

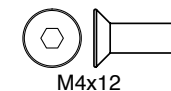


M4x10

STEP 20



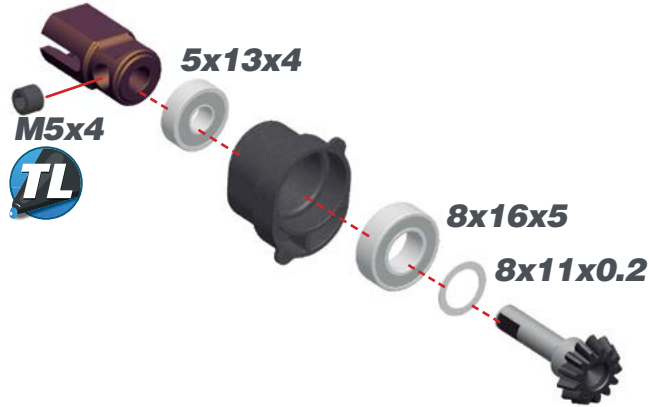
M3x10



M4x12

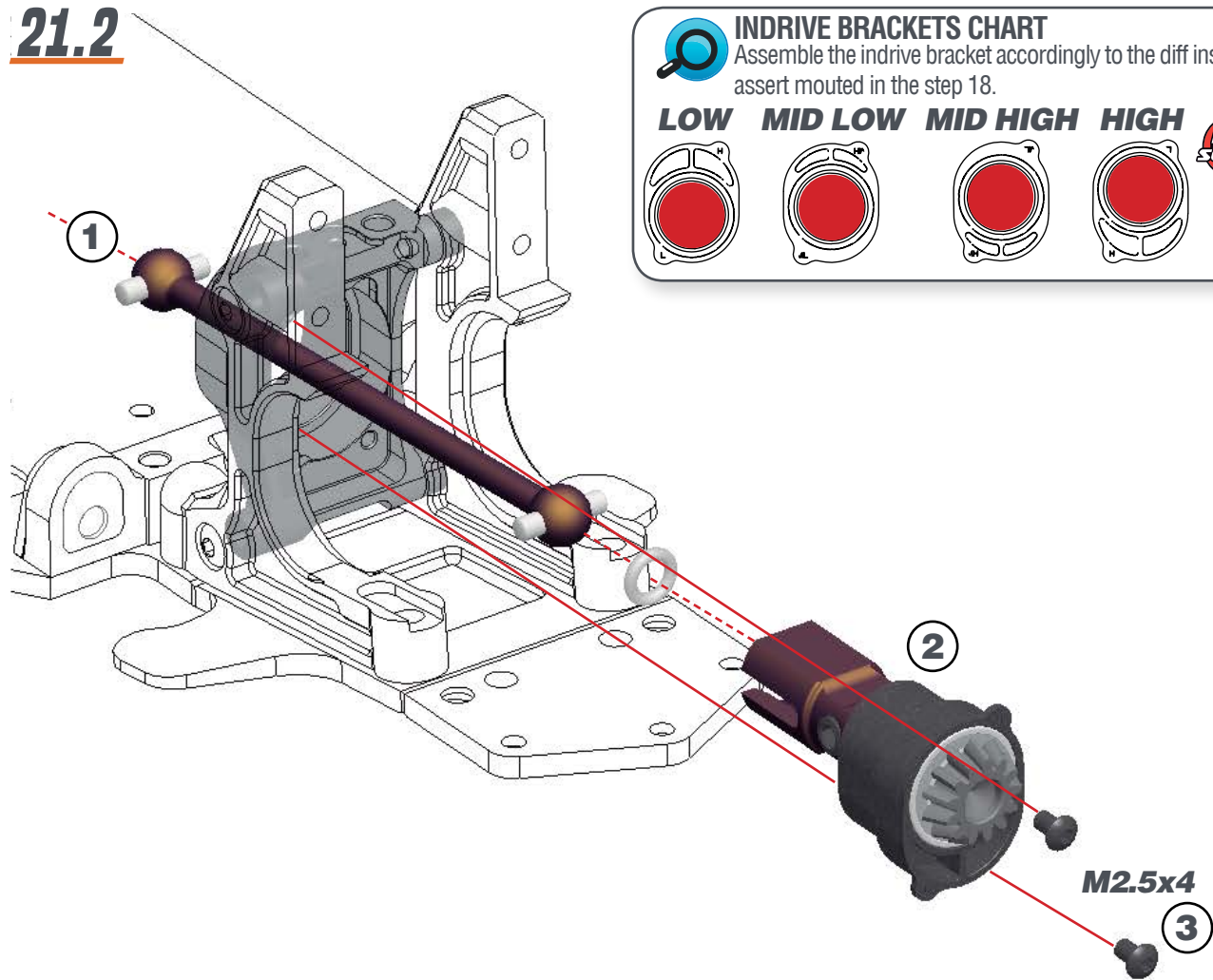
STEP 21

21.1



! After building the differential with new gears, new differential case and bearings, the diff may feel a little tight. The connected parts need at least an hour run-time to create a perfect match. Attention: When you assemble the diff with too much initial play, the gears will not run-in properly and may wear quickly. After 1 or 2 hours of running the car, re-check the gear-mesh between the ring gear and the pinion. All parts should have run-in properly now. You may add or remove 8x11x0.1 shims as needed.

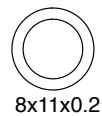
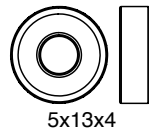
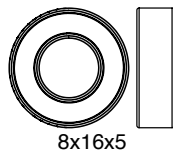
21.2



INDRIVE BRACKETS CHART
Assemble the indrive bracket accordingly to the diff insert assert mouted in the step 18.

LOW	MID LOW	MID HIGH	HIGH

DEF. SETUP



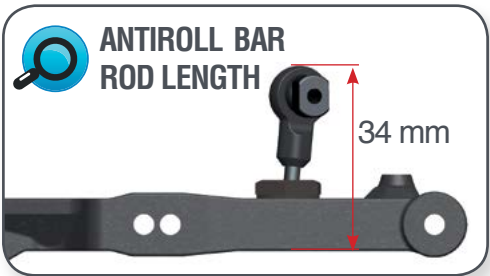
STEP 22

BAG 7

22.1

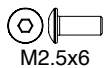
L=R !

Tighten anti-roll bar cap until there is no play, and it moves freely.

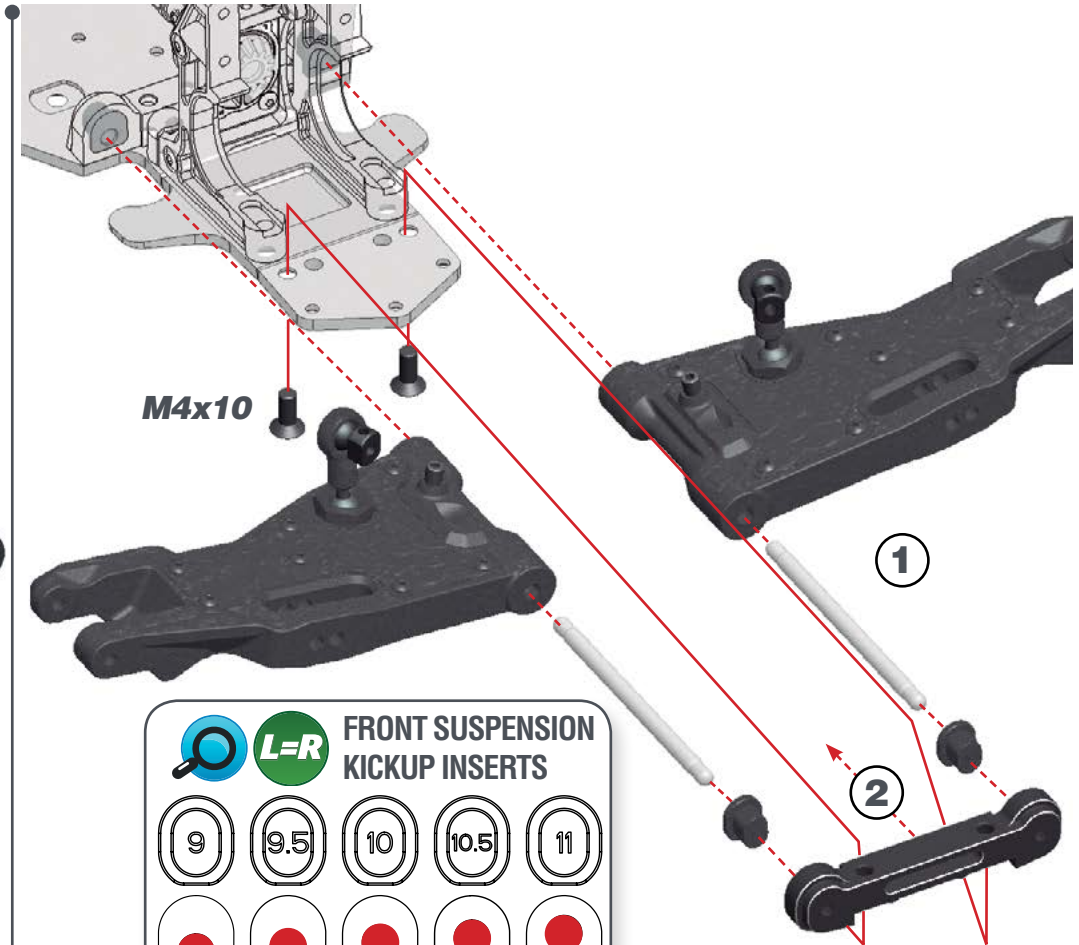


22.2

L=R



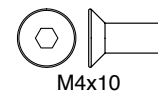
STEP 23



L=R FRONT SUSPENSION KICKUP INSERTS

9	9.5	10	10.5	11

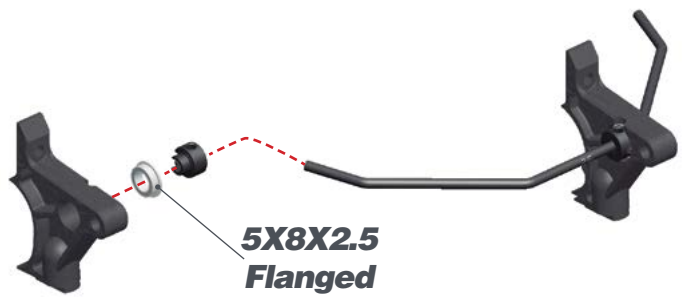
DEF. SETUP



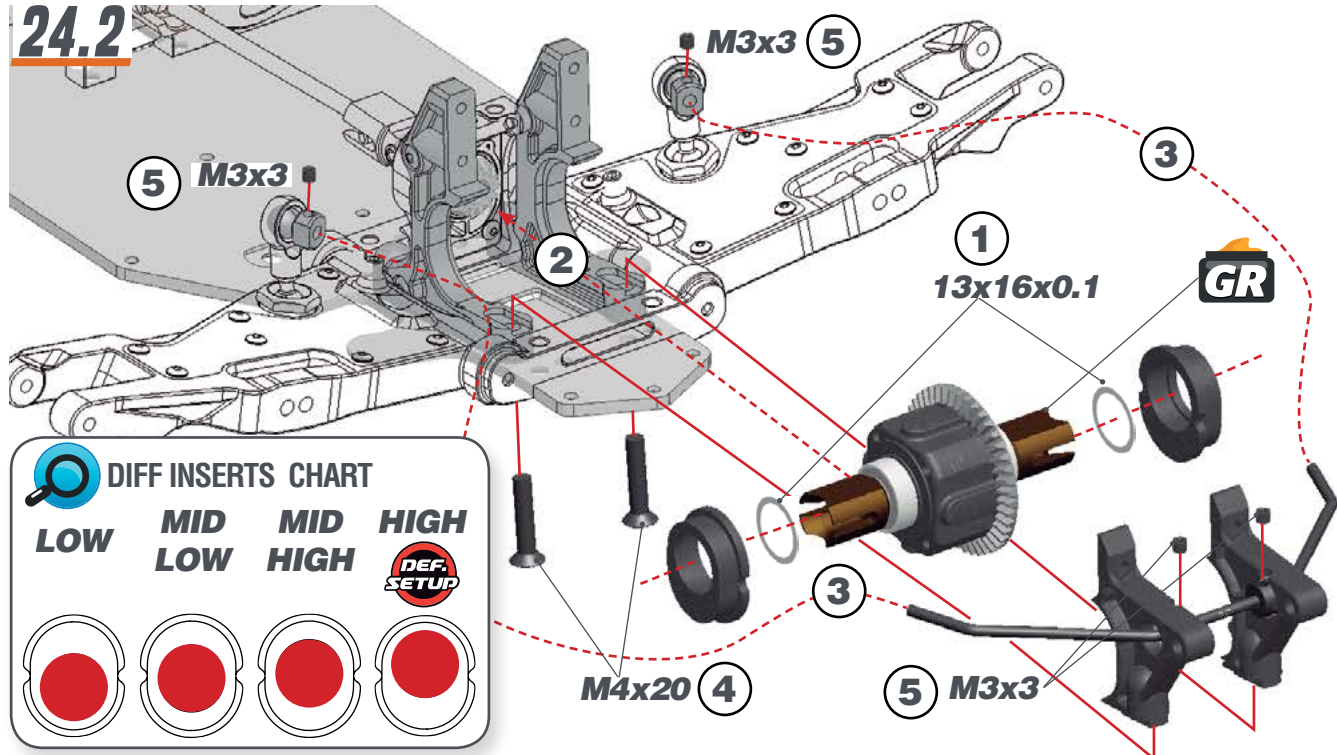
STEP 24

STEP 25

24.1



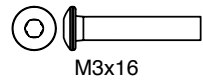
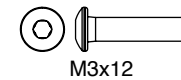
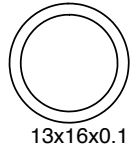
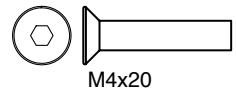
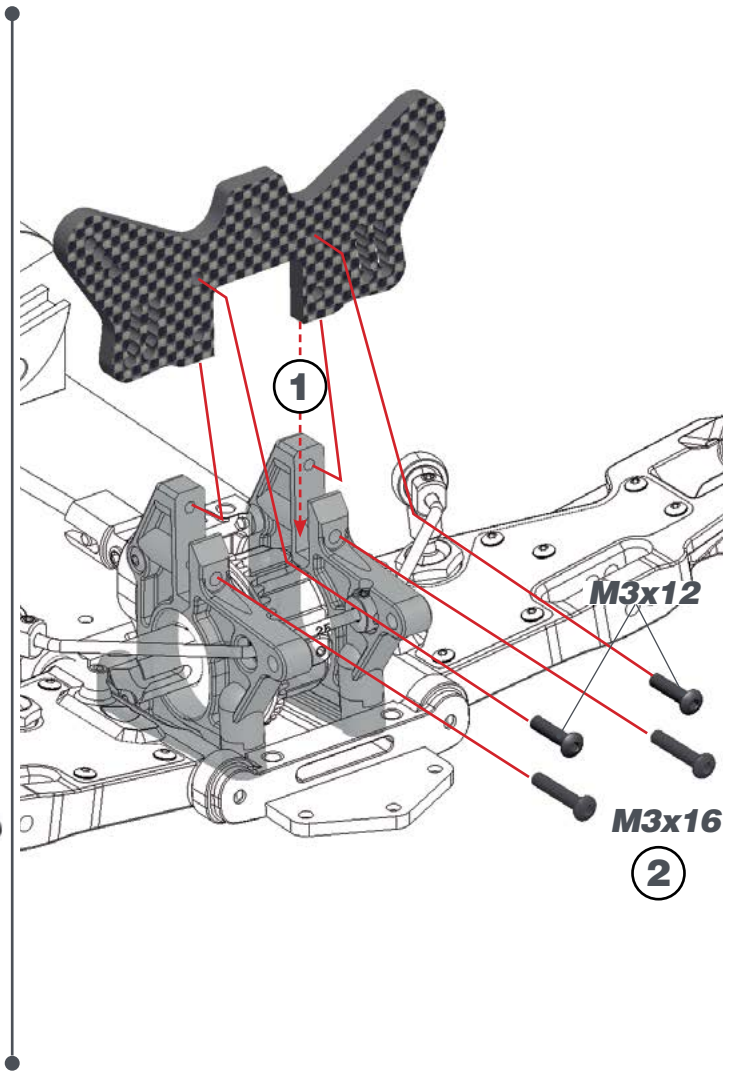
24.2



DIFF INSERTS CHART

LOW	MID LOW	MID HIGH	HIGH

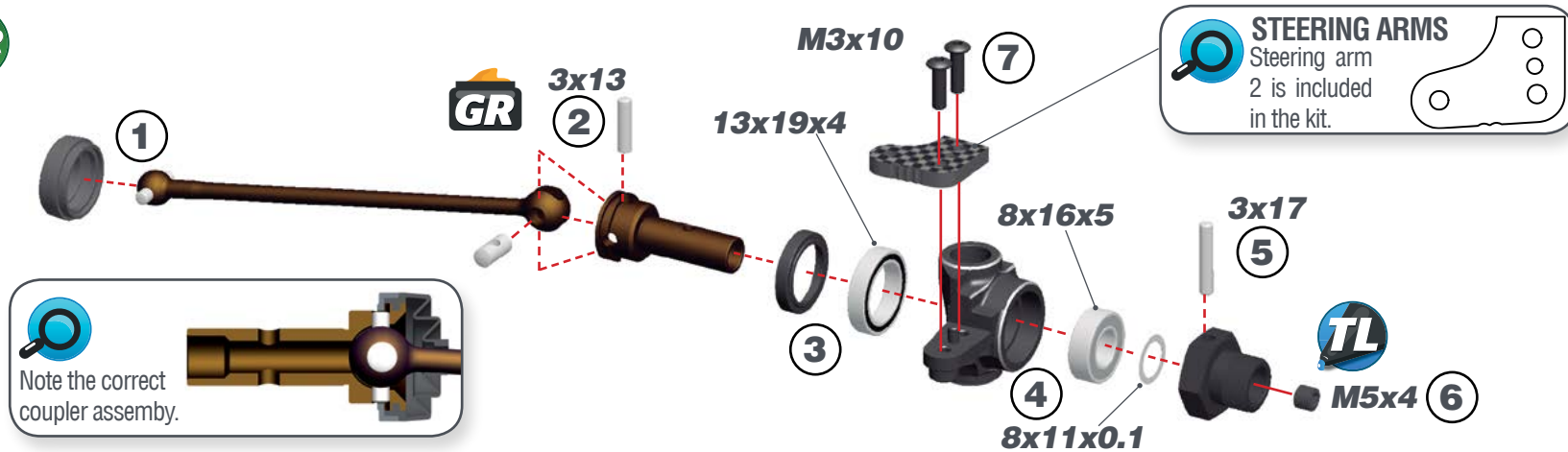
DEF. SETUP



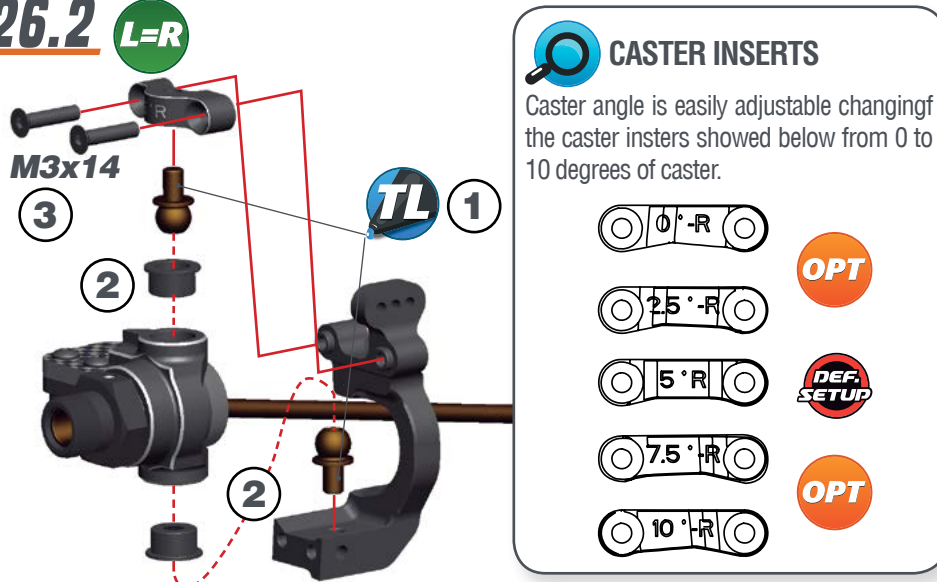
STEP 26

BAG 8

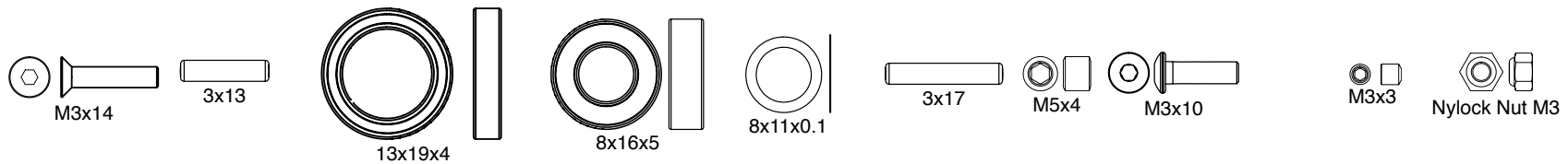
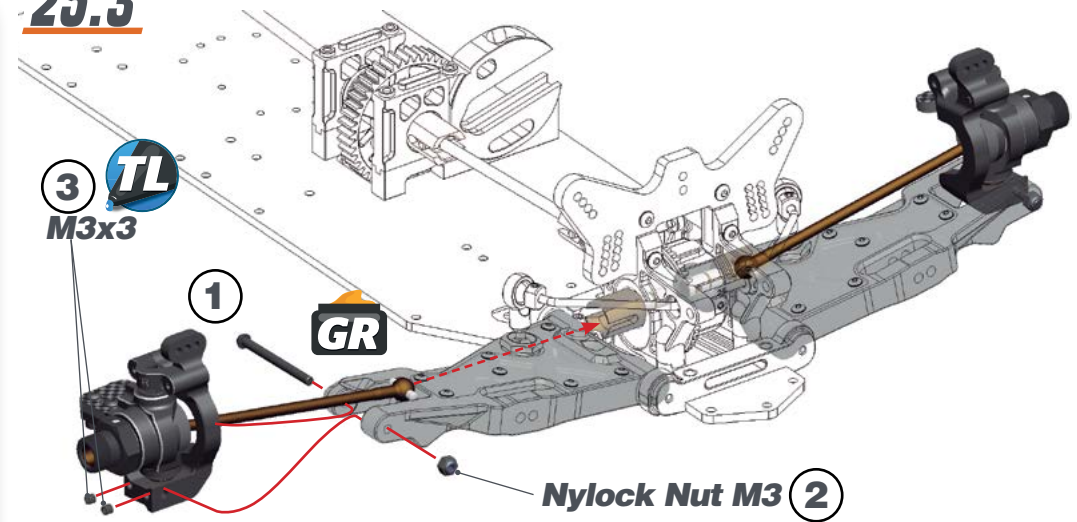
26.1 L=R



26.2 L=R

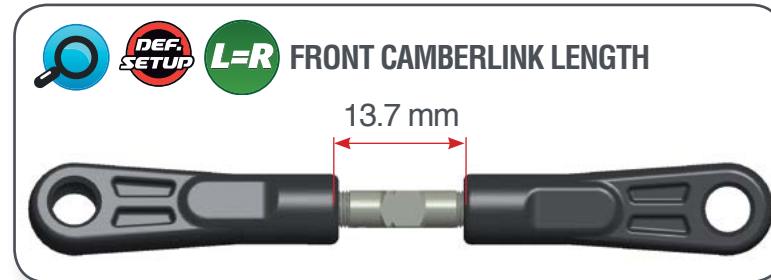


25.3

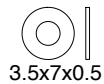
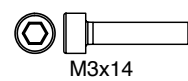
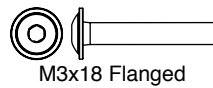
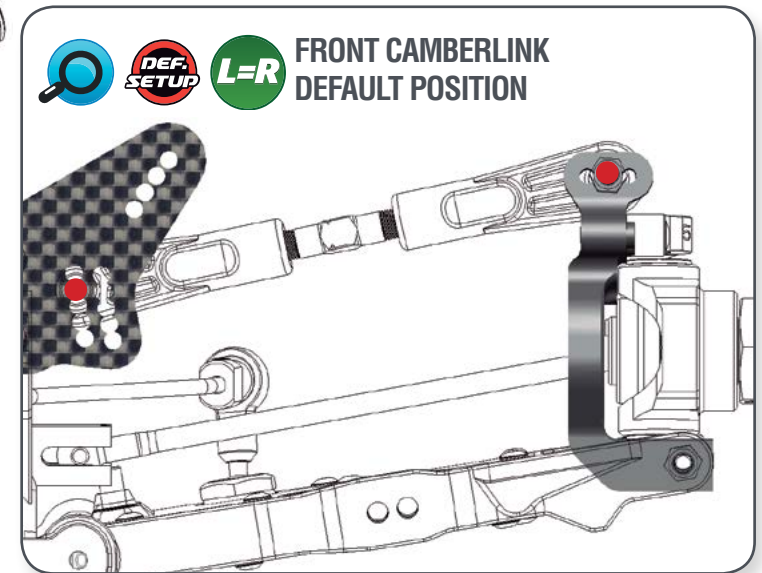
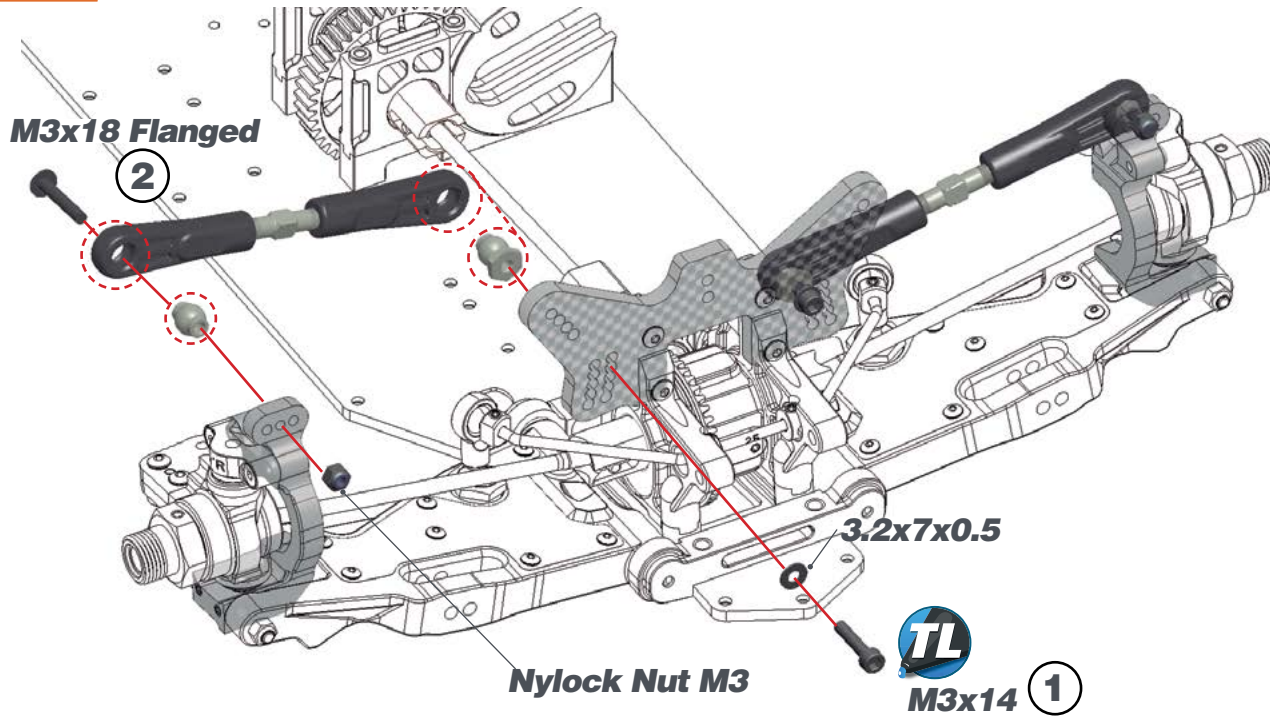


STEP 27

27.1



27.2



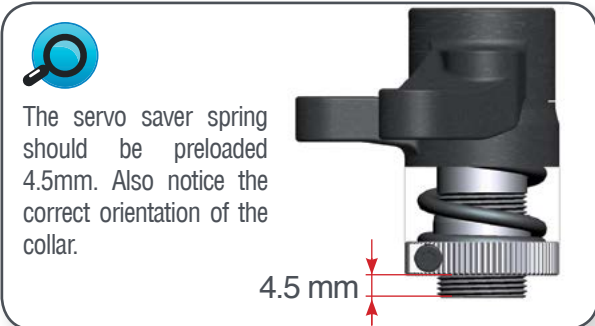
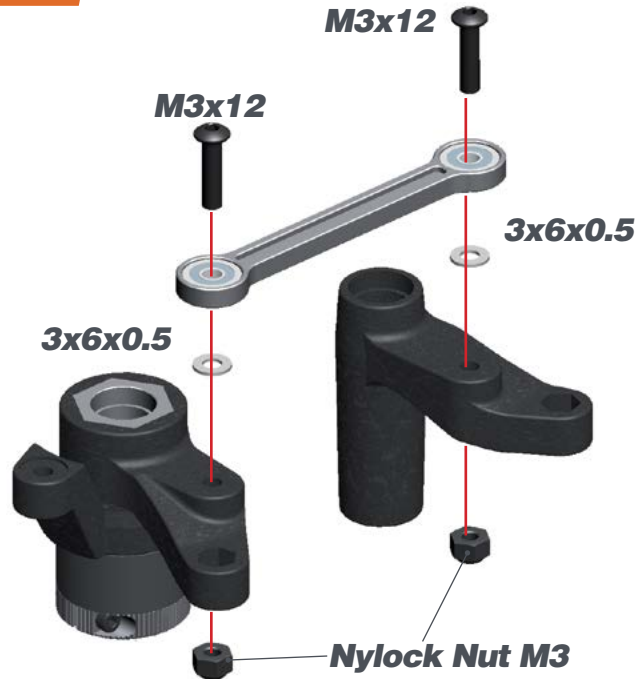
STEP 28

BAG 9

28.1



28.2



STEP 29

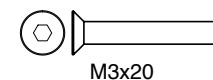
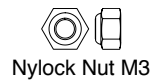
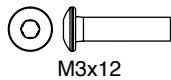
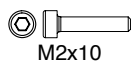
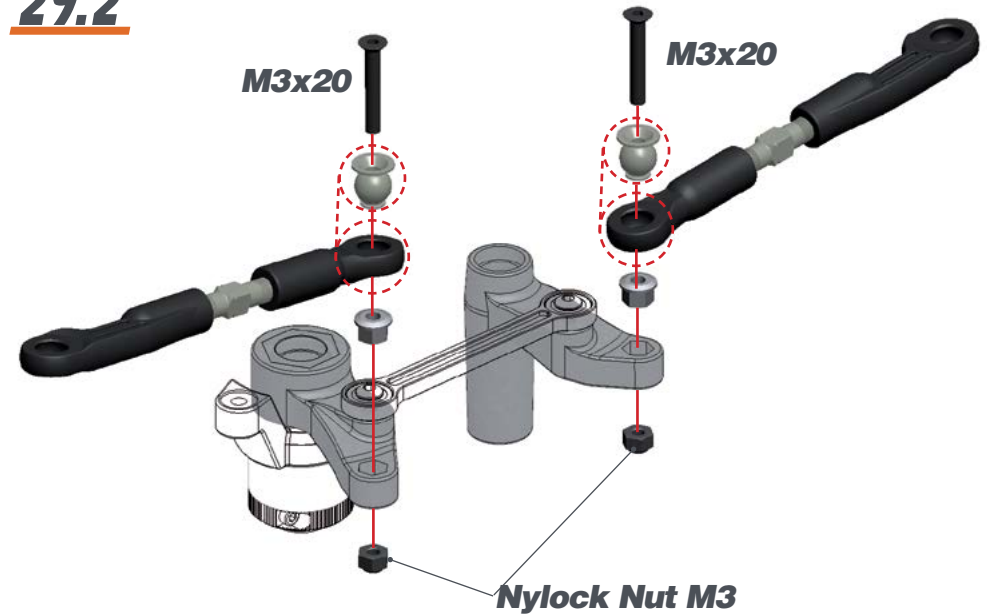
29.1



STEERING TRACKROD LENGTH



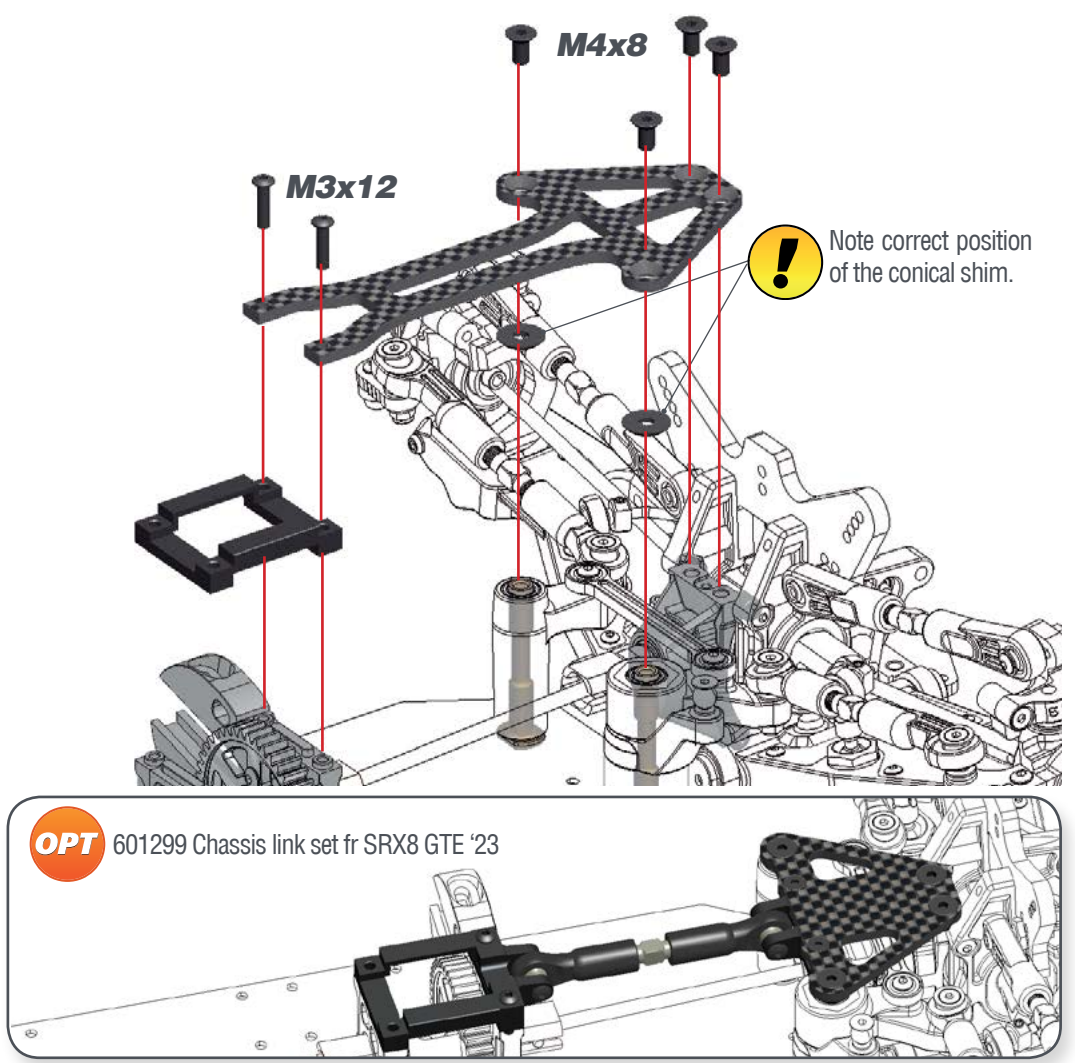
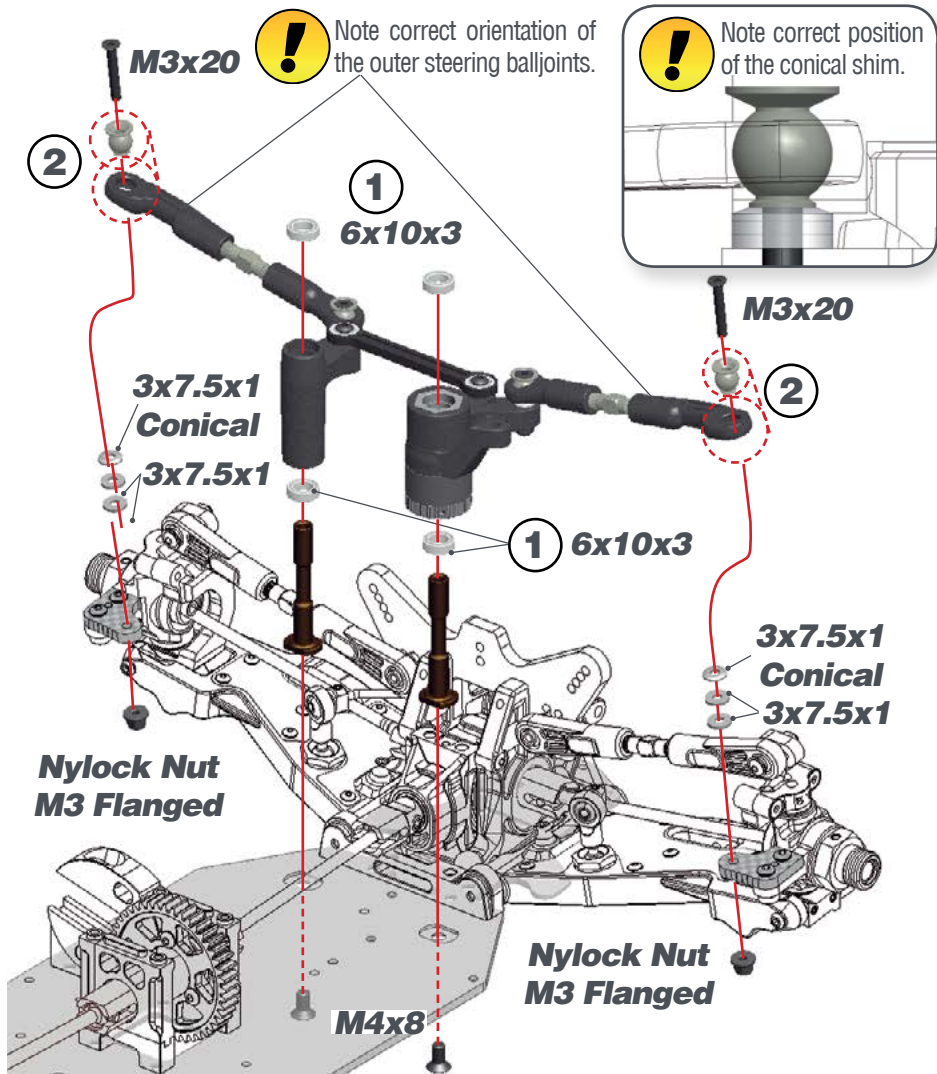
29.2



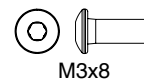
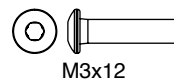
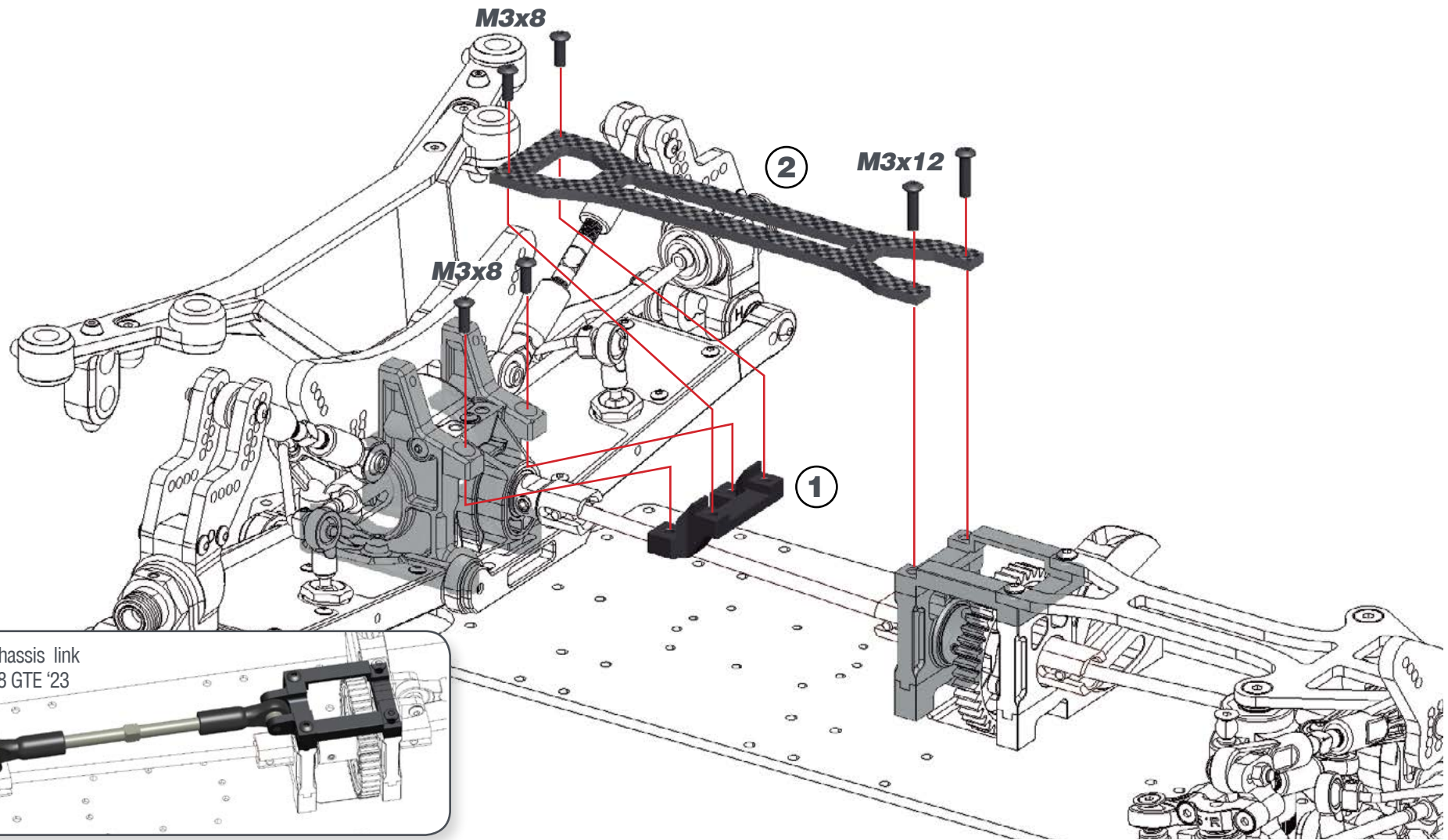
STEP 30

STEP 31

BAG 10



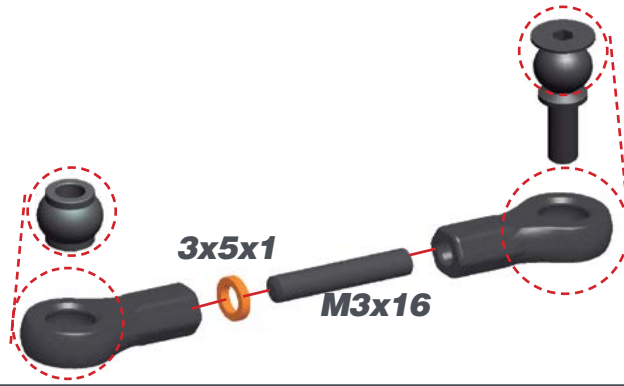
STEP 32



STEP 33

BAG 11

33.1



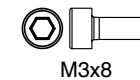
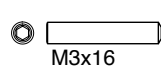
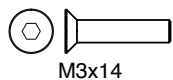
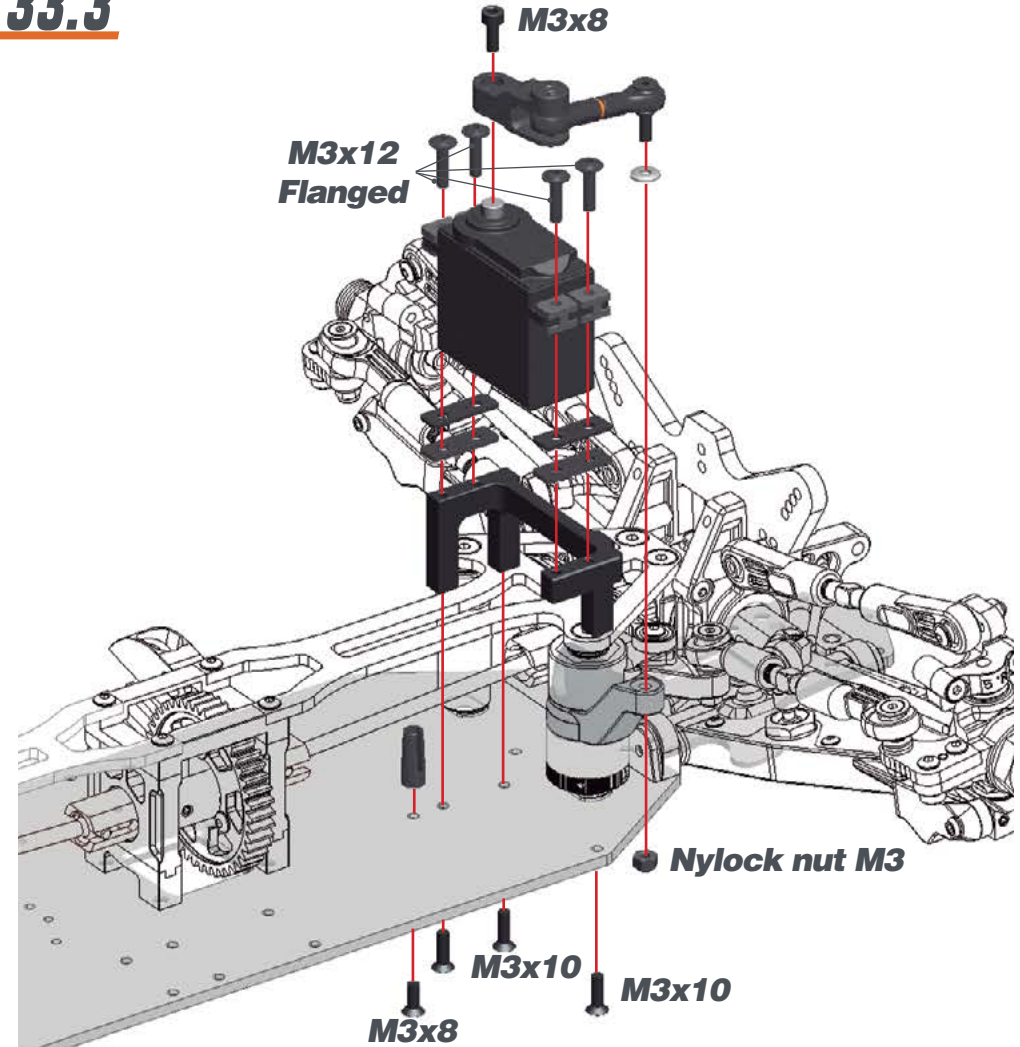
 **STEERING LINK LENGTH**



33.2



33.3

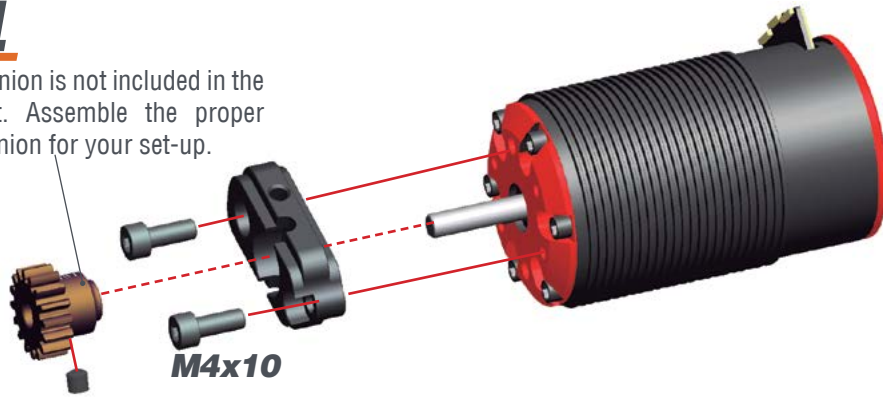


STEP 34

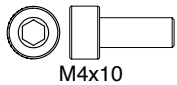
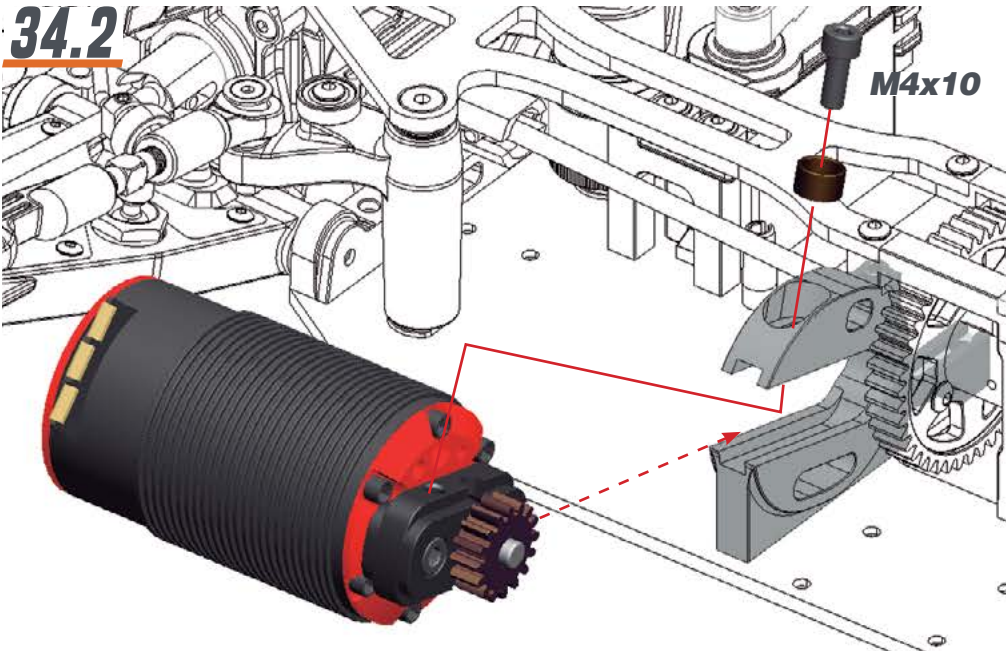
34.1

NOT INCLUDED

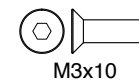
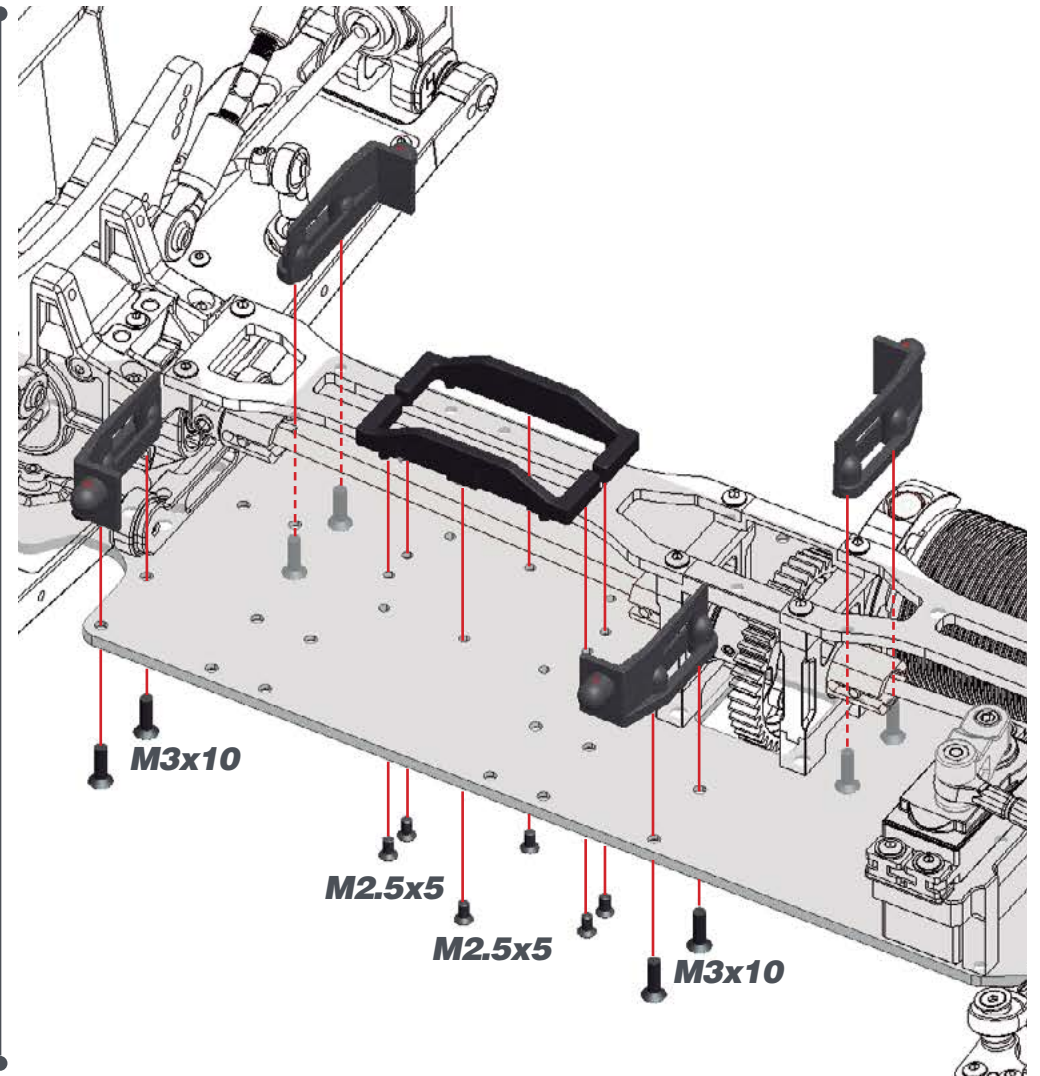
Pinion is not included in the kit. Assemble the proper pinion for your set-up.



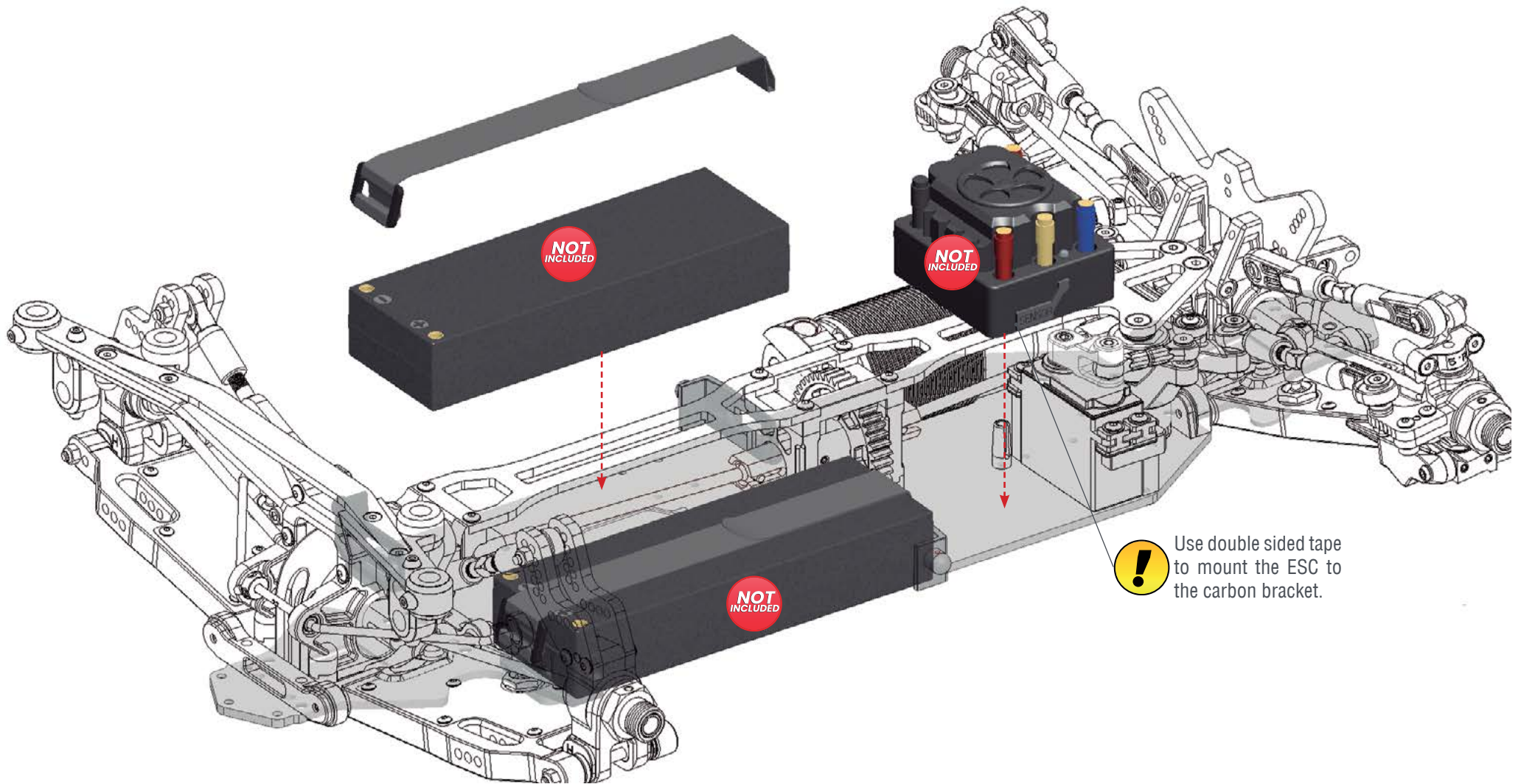
34.2



STEP 35

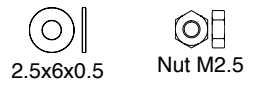
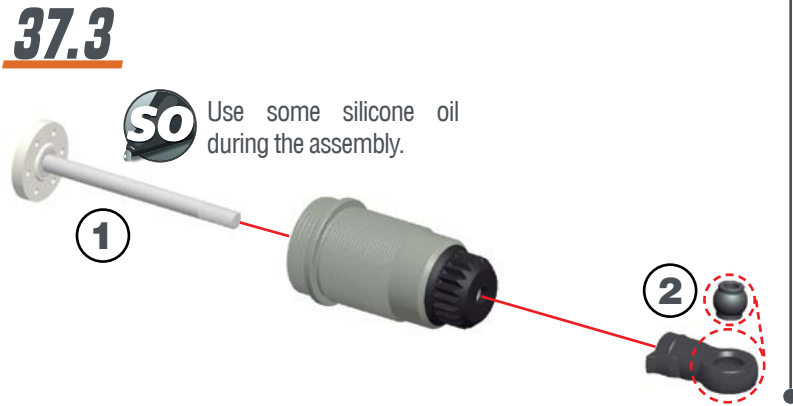
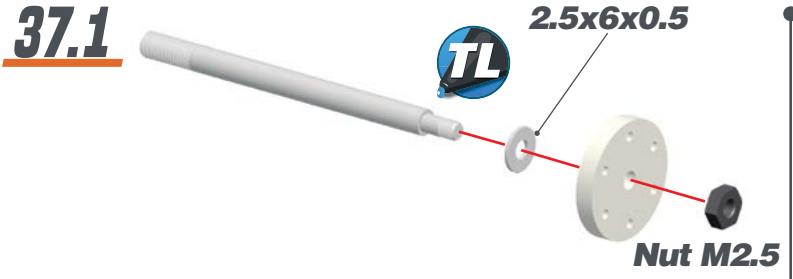


STEP 36

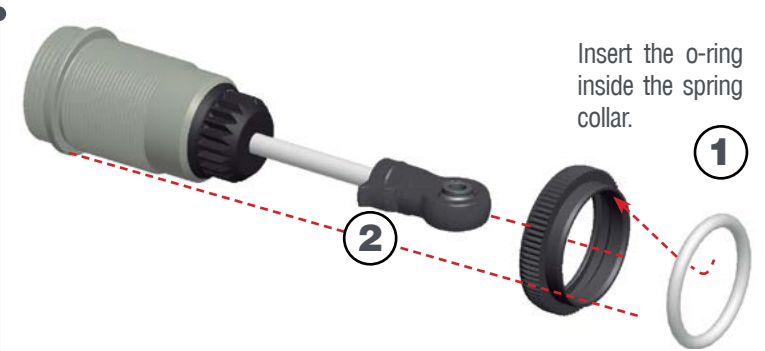


! Use double sided tape to mount the ESC to the carbon bracket.

STEP 37 SHOCK BAG



STEP 38



STEP 39

- 1- Fill up with silicone oil fully using the silicone oil supplied in the kit. For the correct cst value please check the default setupsheet.
- 2- Extend the shockrod fully
- 3- Move the shockrod slowly up and down to let ALL air bubbles escape.



STEP 40

40.1

Push the membrane into the shock cap.



40.2

Close top step by step only 3/4



STEP 41

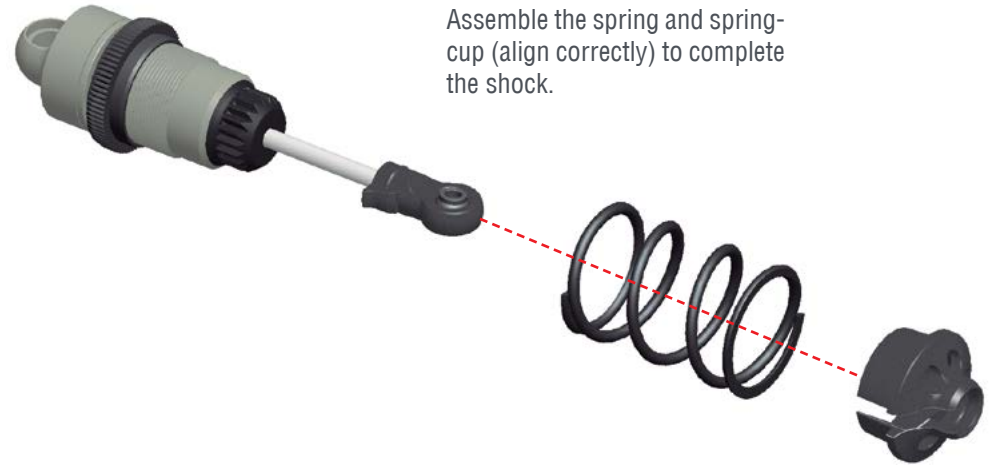
1-Bleed: push the shock-rod all the way in slowly, to allow excessive oil to escape.

2- With shockrod fully in, close fullu the shock cap.



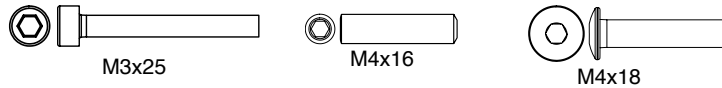
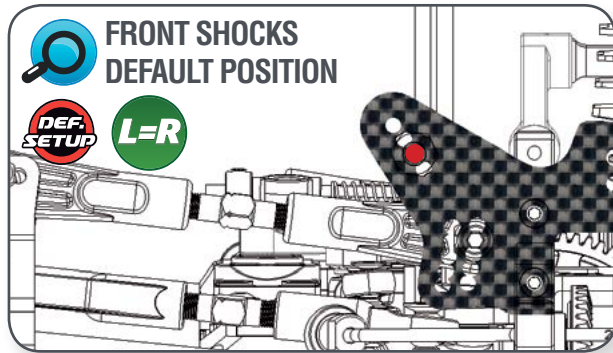
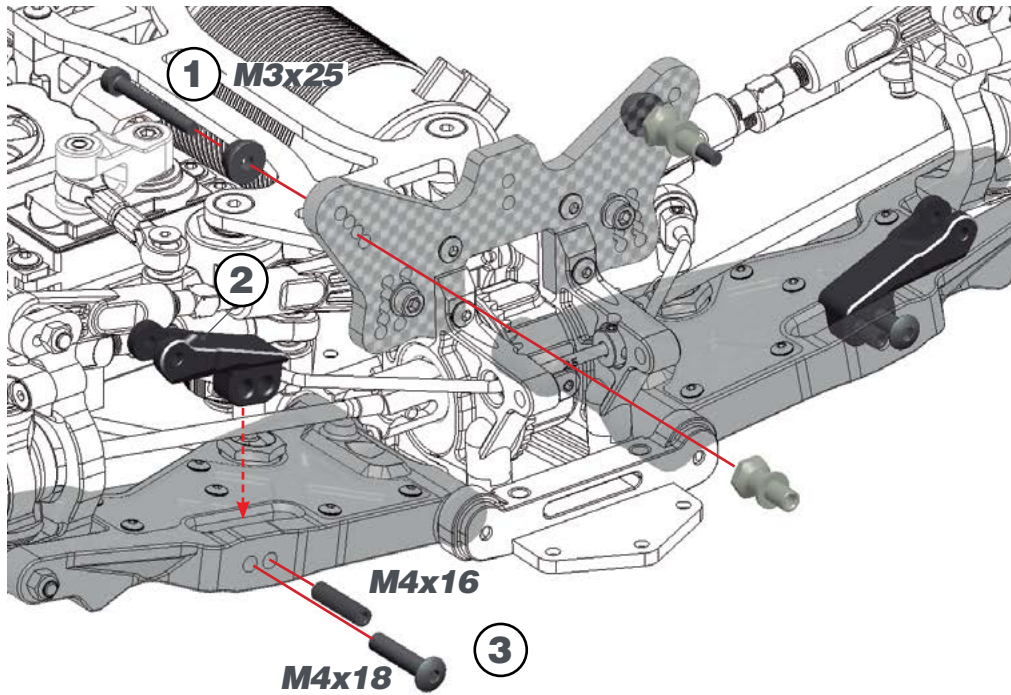
STEP 42

Assemble the spring and spring-cup (align correctly) to complete the shock.

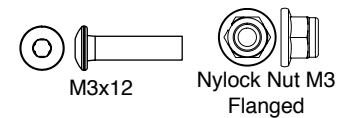
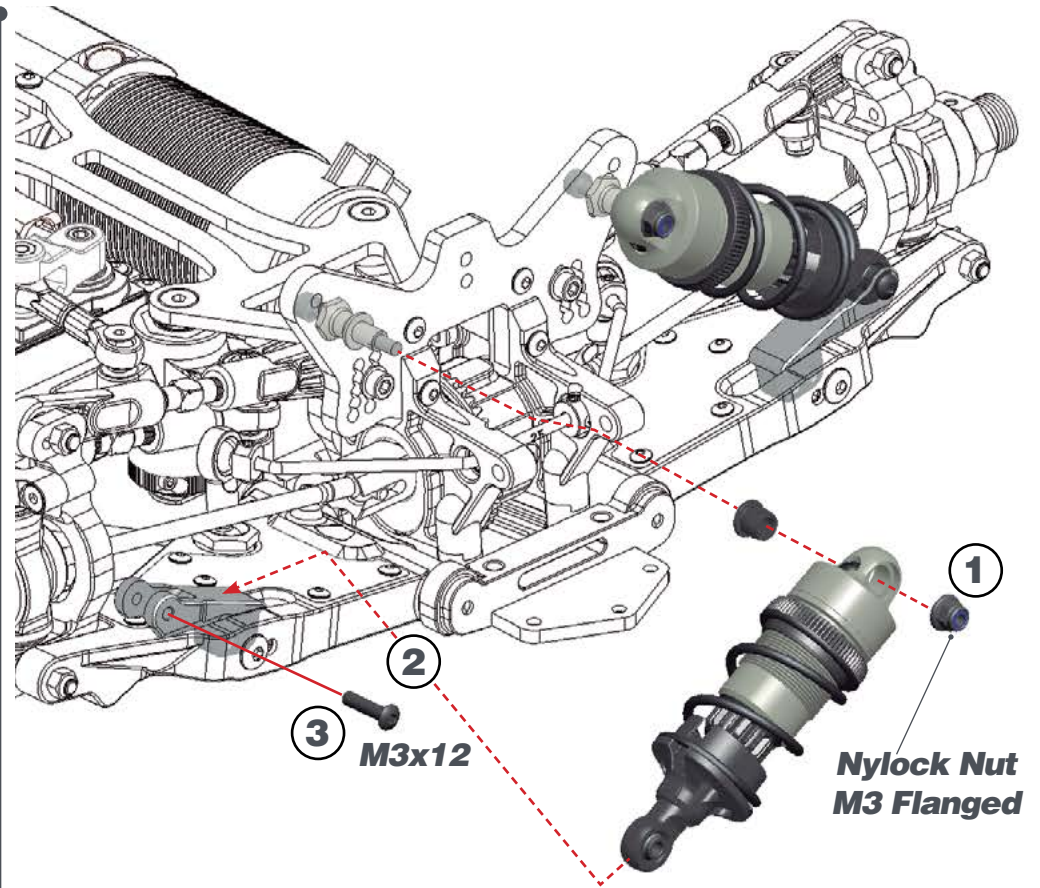


M2.3x4

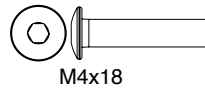
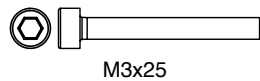
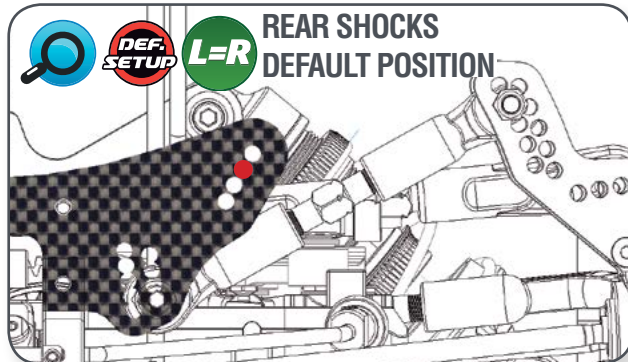
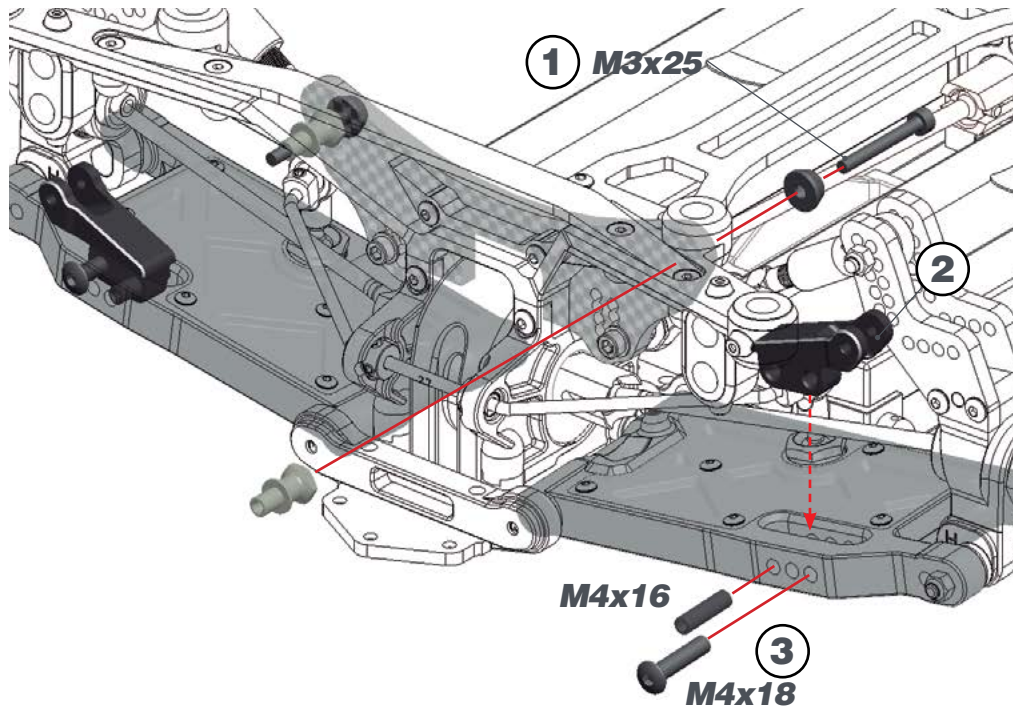
STEP 43



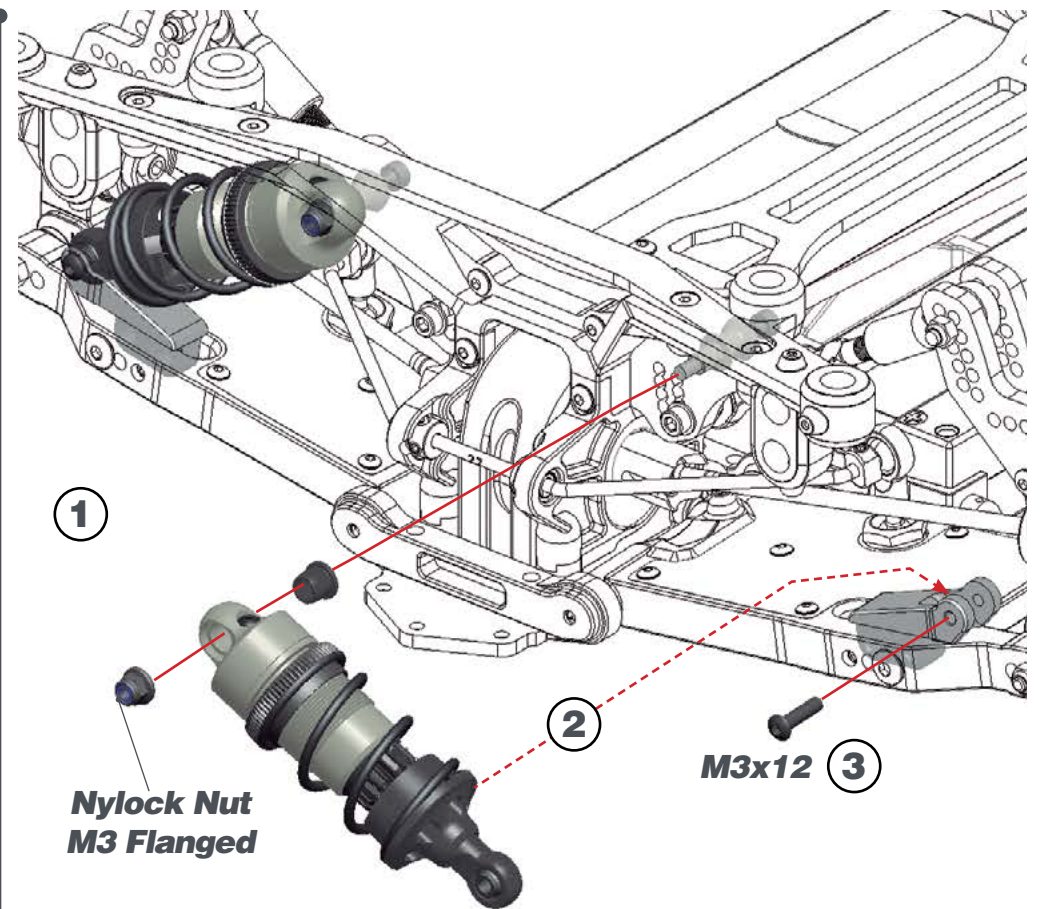
STEP 44



STEP 45

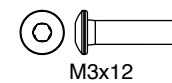


STEP 46



**Nylock Nut
M3 Flanged**

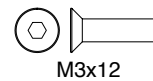
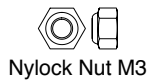
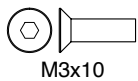
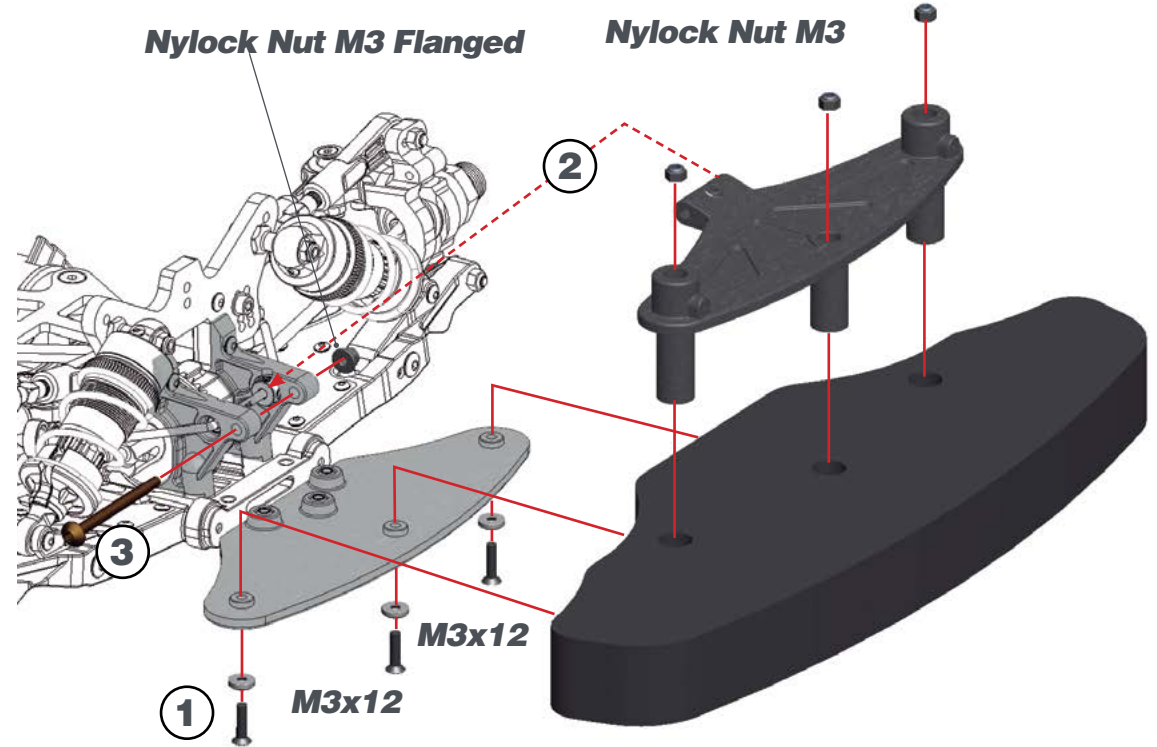
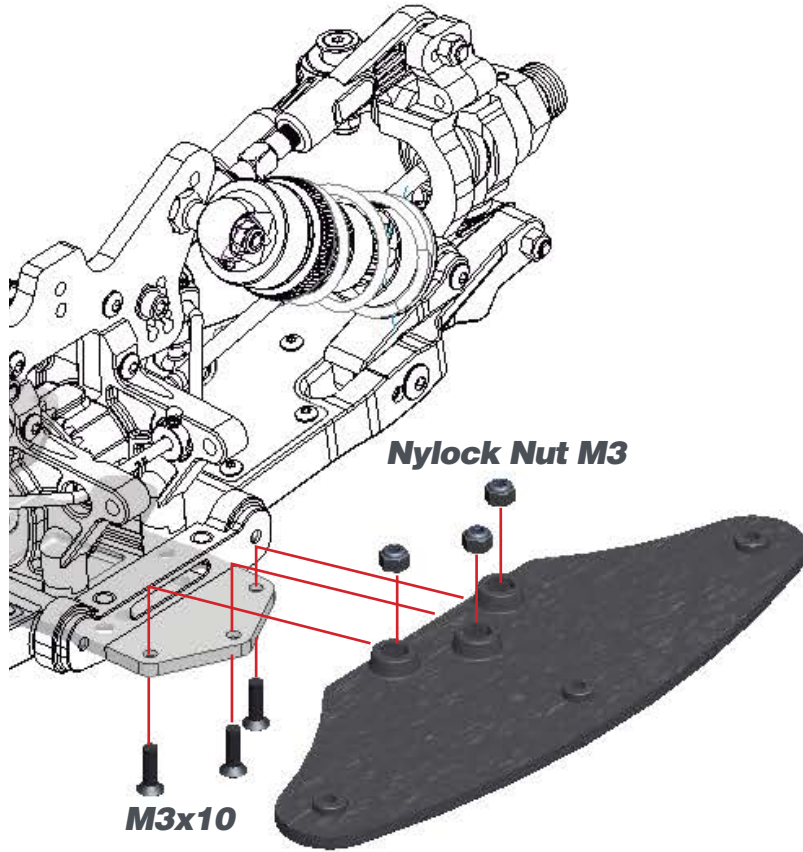
M3x12



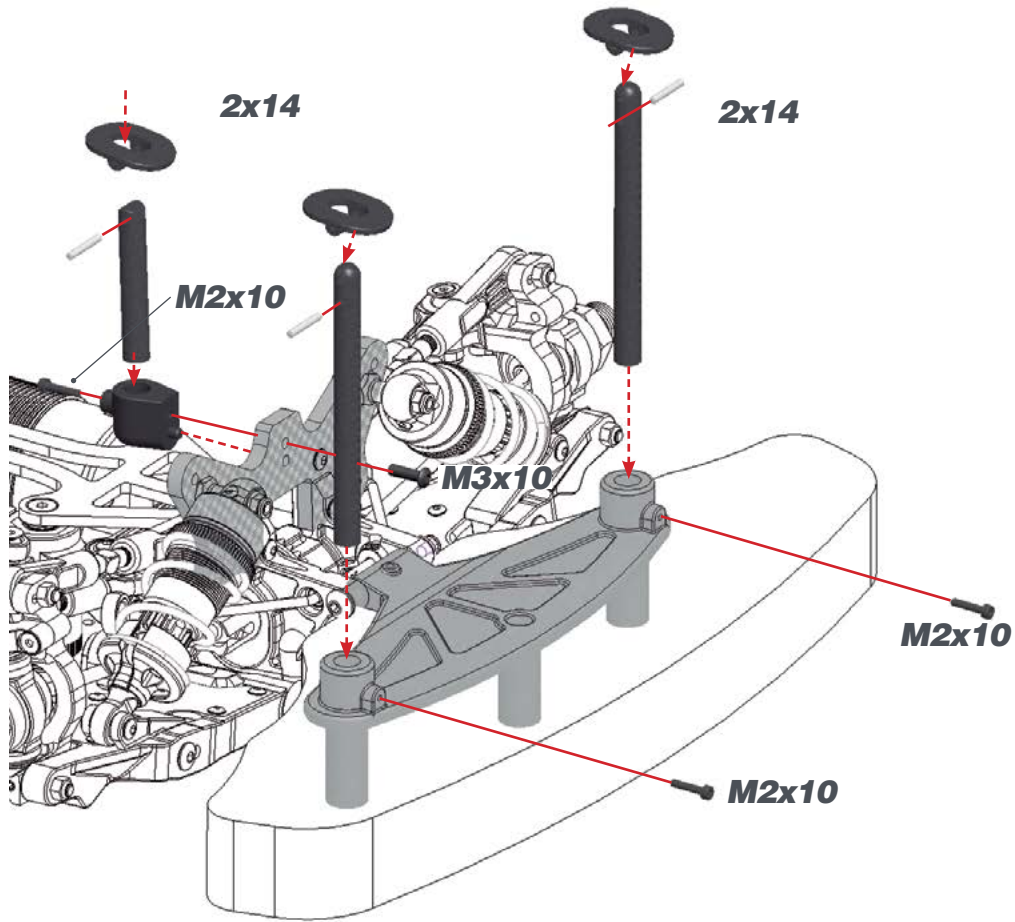
STEP 47

BAG 12

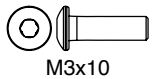
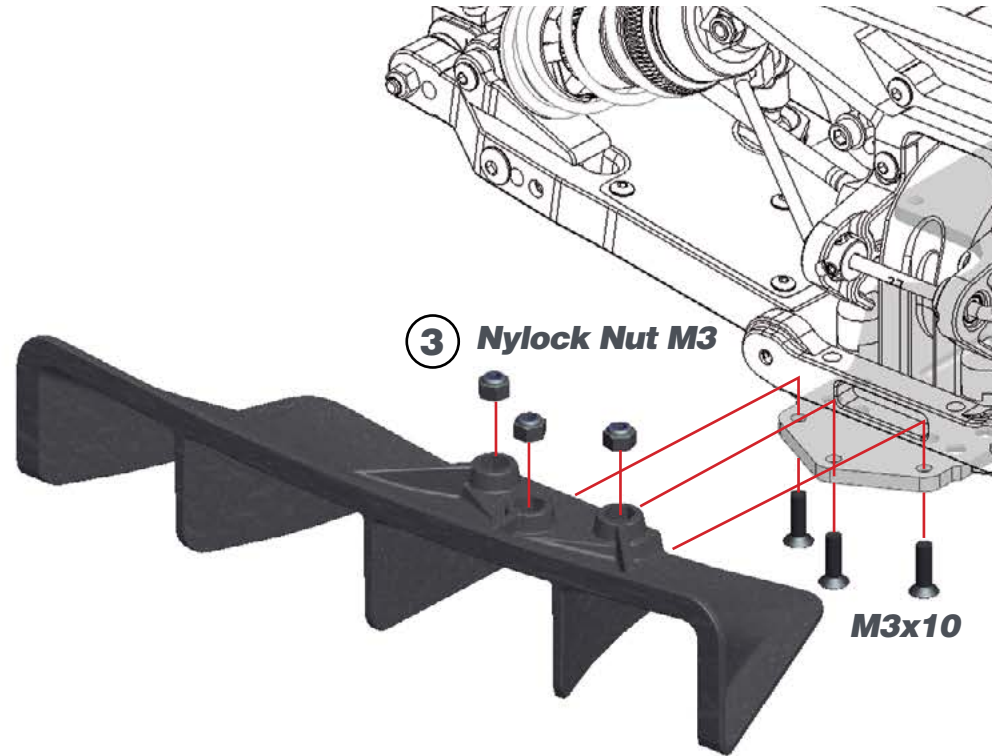
STEP 48



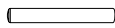
STEP 49



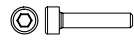
STEP 50



M3x10



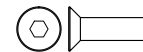
2x14



M2x10

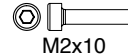
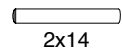
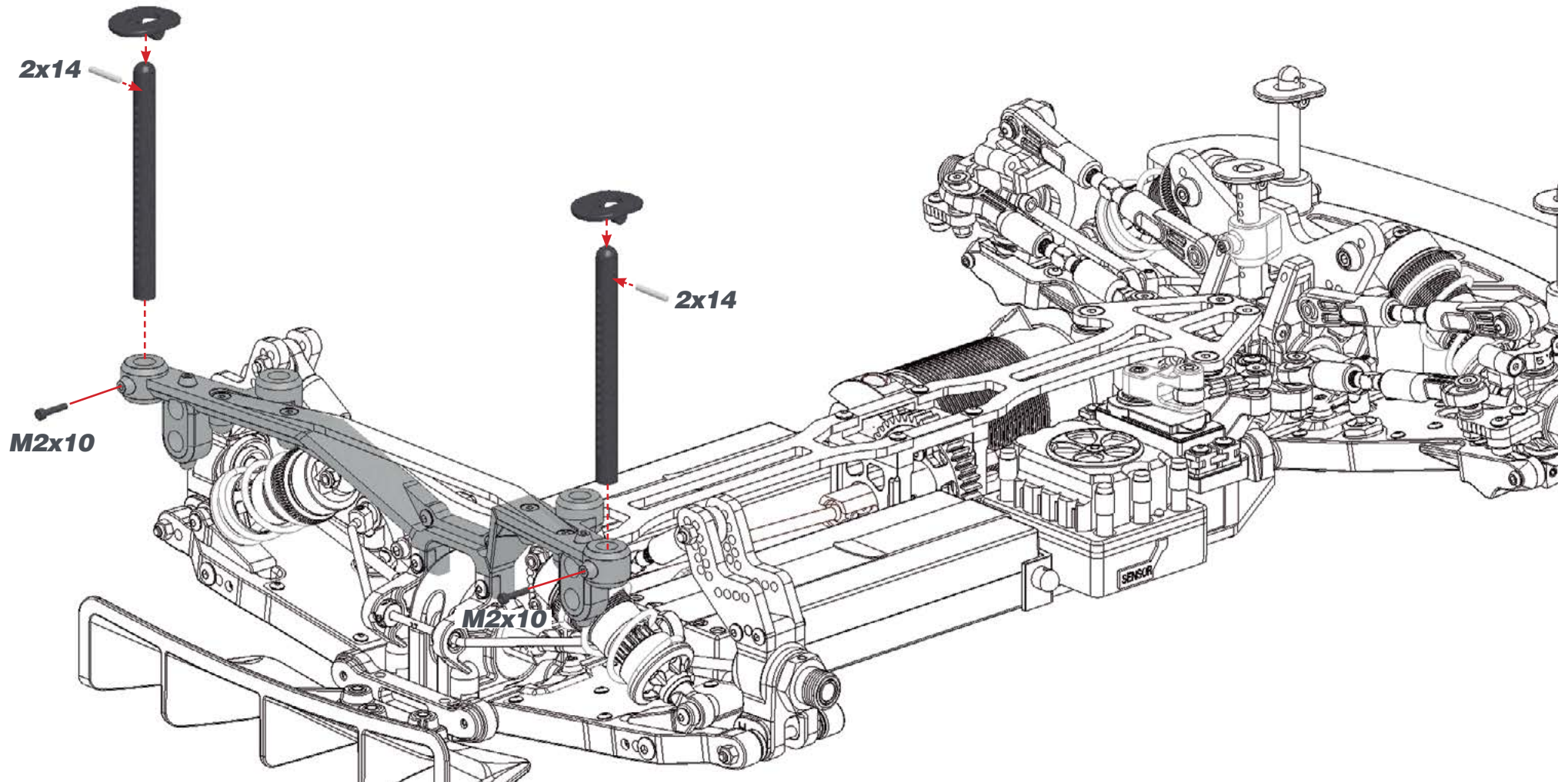


Nylock Nut M3

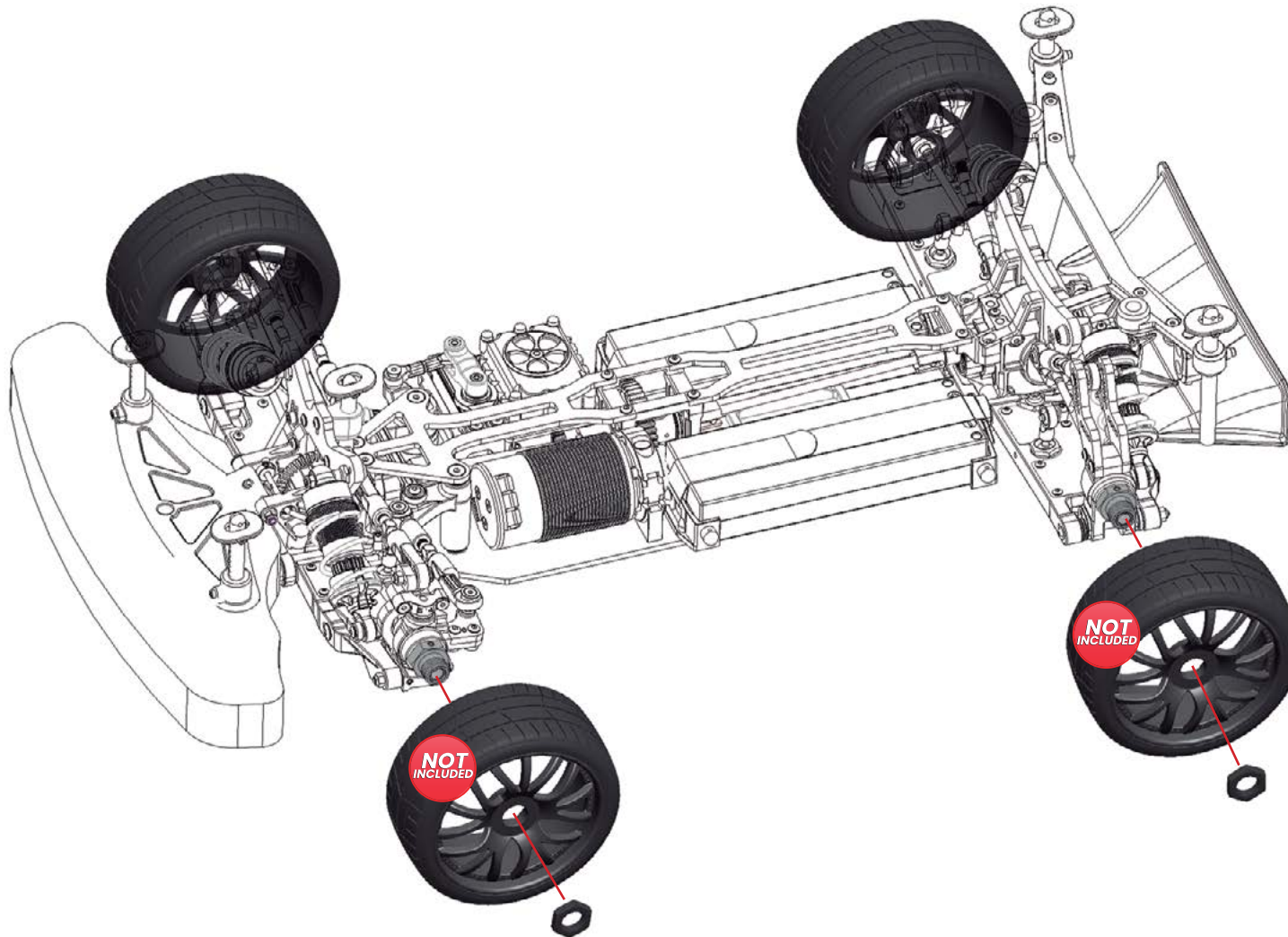


M3x10

STEP 51



STEP 52

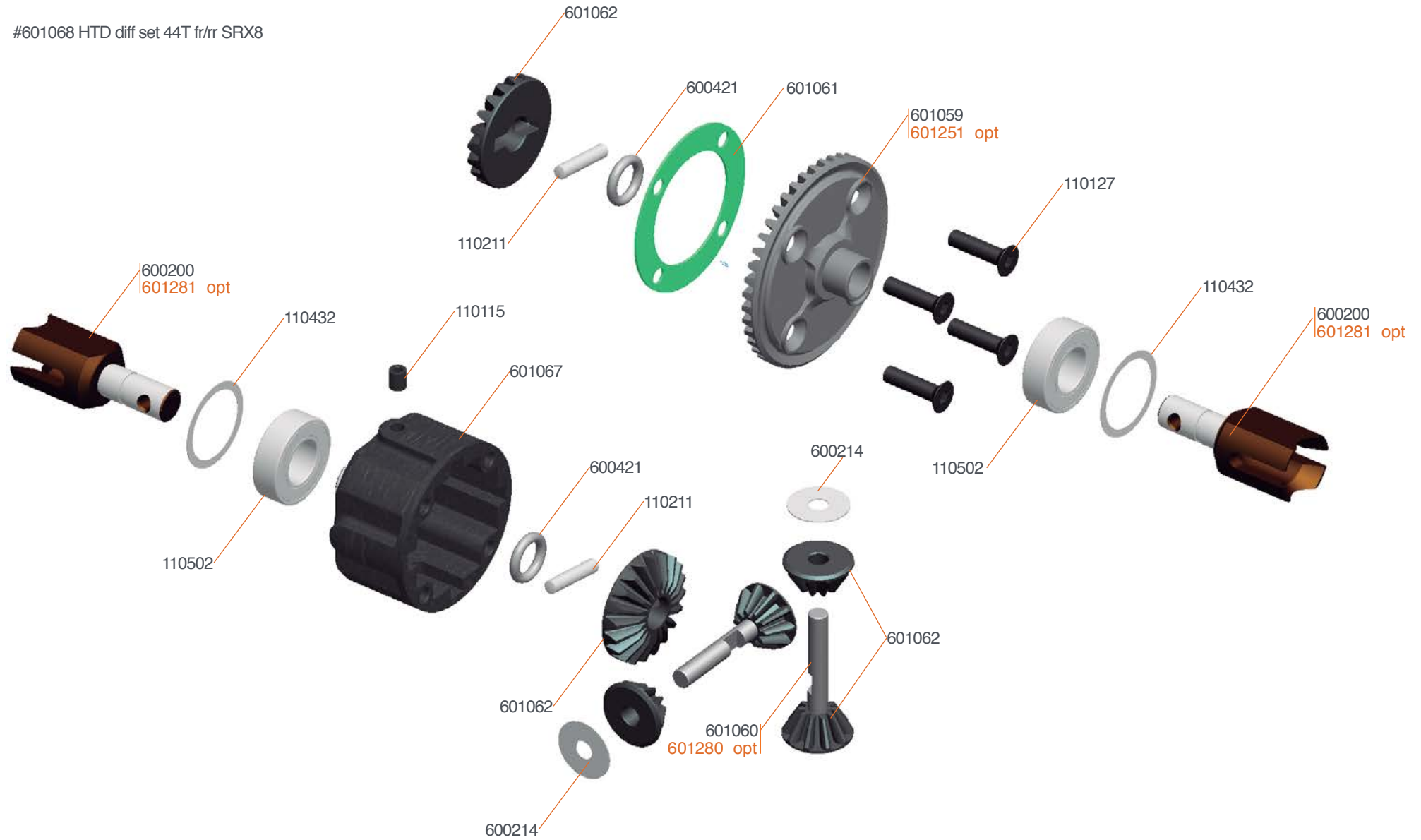


INDEX

DIFFERENTIALS EXPLODED VIEW	37
SOLID AXLE EXPLODED VIEW	38
CENTRAL EXPLODED VIEW	39
REAR EXPLODED VIEW	40
FRONT EXPLODED VIEW	41
STEERING EXPLODED VIEW	42
SHOCKS EXPLODED VIEW	43
FINAL 1 EXPLODED VIEW	44
FINAL 2 EXPLODED VIEW	45

DIFFERENTIAL EXPLODED VIEW

#601068 HTD diff set 44T fr/r SRX8



601250 HTD diff set 44T SRX8 GT V2
601251 HTD diff gear 44T SRX8 GT V2
601280 HTD diff X-shaft alu SRX8

601281 Diff outdrive (2) V2

#601226 Solid axle center set 44T SRX8 GTE V2



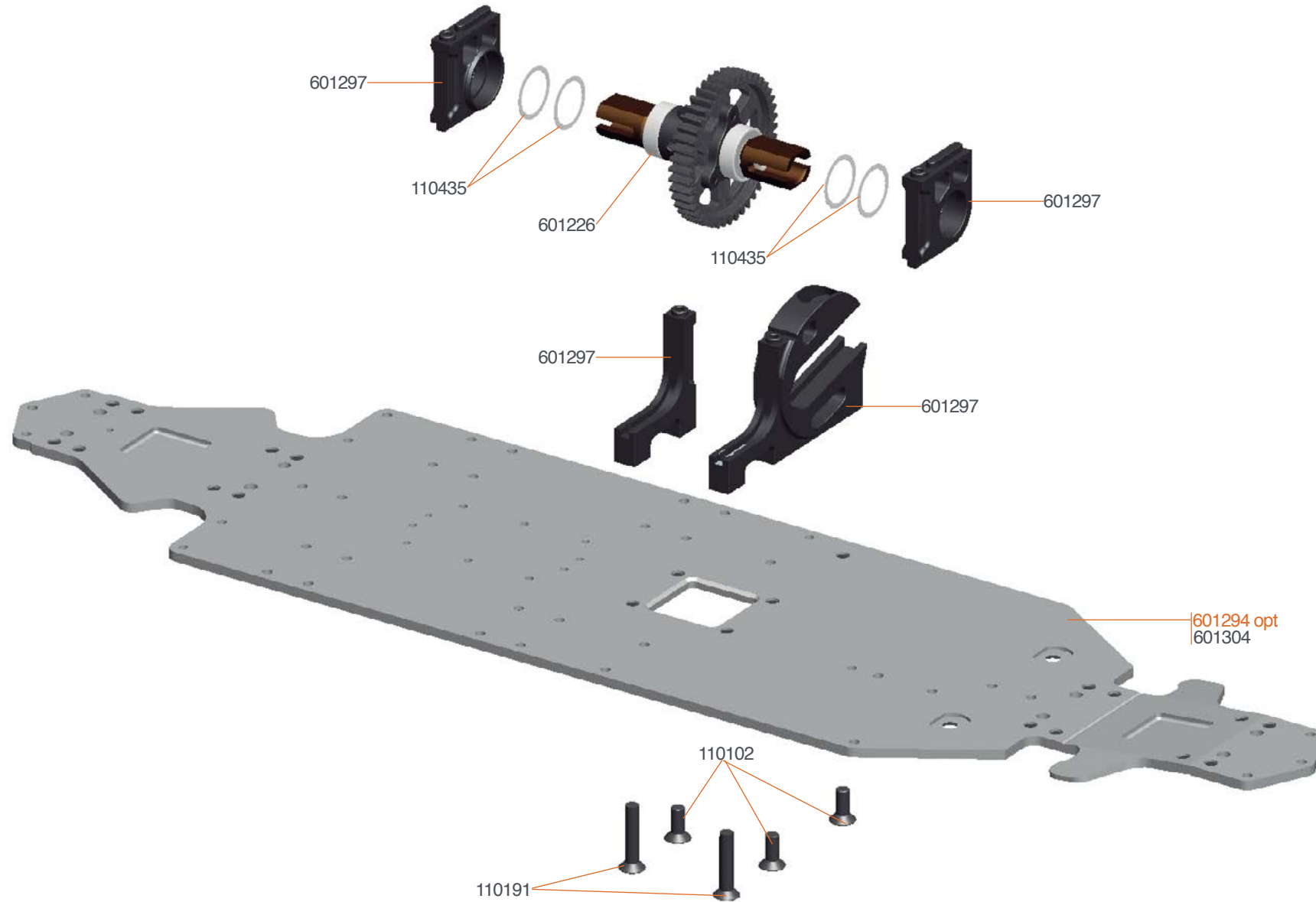
- 804512 opt
- 804513 opt
- 804514 opt
- 804515 opt
- 804516 opt
- 904199 opt
- 904200 opt
- 904201 opt
- 904202 opt
- 904203
- 904204 opt

904199 Spurgear composite 36T M1
 904200 Spurgear composite 38T M1
 904201 Spurgear composite 40T M1
 904202 Spurgear composite 42T M1

904204 Spurgear composite 46T M1
 804515 Spur gear 36T steel M1
 804513 Spur gear 38T steel M1
 804514 Spur gear 40T steel M1

804515 Spur gear 42T steel M1
 804516 Spur gear 44T steel M1





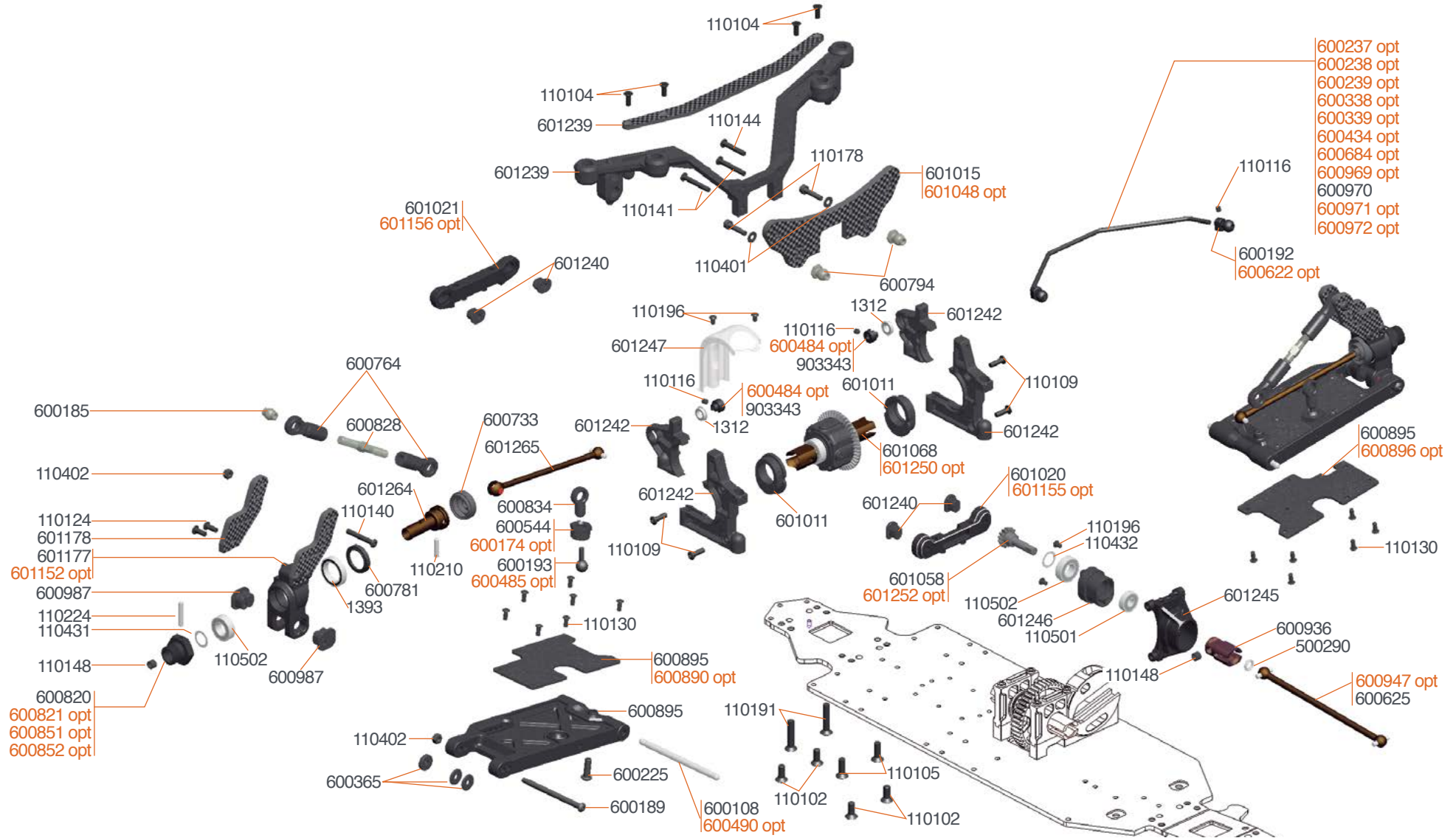
601294 Chassis SRX8 GTE '23



REAR EXPLODED VIEW

SRX8 GT
LWB 23

SERPENT



- 600174 Antirollbar nut (2)
- 600338 Antiroll bar rear 1.8mm
- 600339 Antiroll bar rear 2.0mm
- 600434 Antiroll bar rear 2.4mm
- 600237 Antiroll bar rear 2.3mm
- 600238 Antiroll bar rear 2.5mm
- 600239 Antiroll bar rear 2.7mm
- 600684 Antiroll bar rear 3.0mm

- 600484 Antirollbar spacer 3mm alu (2)
- 600485 Pivotball threaded anti roll bar alu (2)
- 600896 Wishbone insert carbon RR Lower V2 SRX8
- 600851 Wheelhexagon 0mm light (2) SRX8
- 600852 Wheelhexagon +1mm light (2) SRX8
- 600890 Wishbone insert carbon RR Upper SRX8 (2)
- 600969 Antiroll bar rear 2.2 mm
- 600971 Antiroll bar rear 2.6 mm

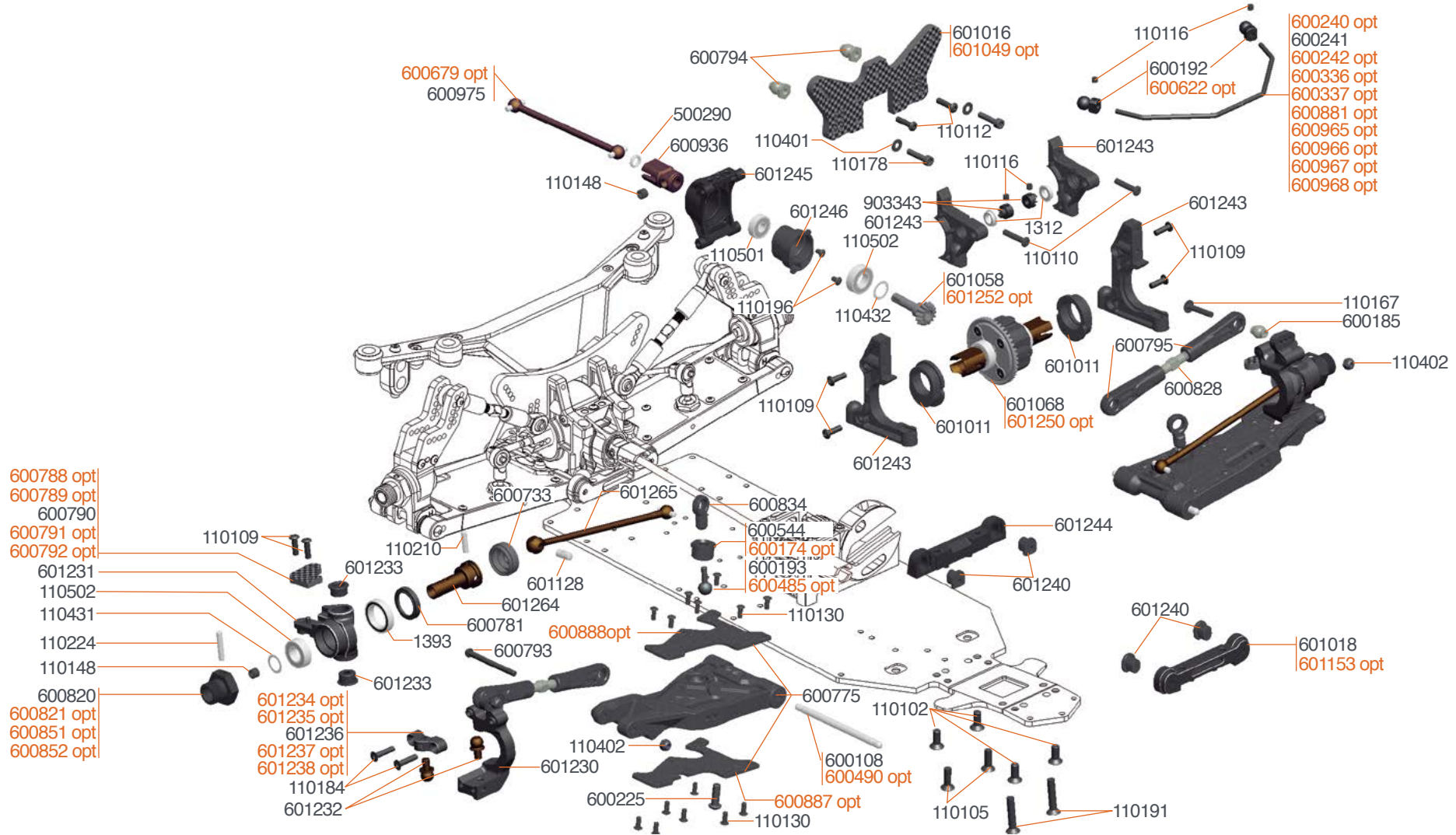
- 600972 Antiroll bar rear 2.8 mm
- 601048 Shock Tower RR Straight arm SRX8-GT
- 600821 Wheelhexagon +1mm (2) SRX8
- 601152 Upright magnesium SRX8 GT (2)
- 601250 HTD diff set 44T SRX8 GT V2
- 601252 HTD diff pinion 12T SRX8 GT V2
- 600490 Hingepin TIN coated (2)
- 600947 Driveshaft center rr 105.5mm saddle layout SRX8E

OPT

FRONT EXPLODED VIEW

SRX8 GT
LWB 23

SERPENT



600788 opt
600789 opt
600790
600791 opt
600792 opt
601231
110502
110431
110224
110148
600820
600821 opt
600851 opt
600852 opt

601234 opt
601235 opt
601236
601237 opt
601238 opt
110184
601232

600174 Antirollbar nut (2)
600336 Antiroll bar front 1.8mm
600337 Antiroll bar front 2.0mm
600240 Antiroll bar front 2.3mm
600242 Antiroll bar front 2.7mm
600484 Antirollbar spacer 3mm alu (2)
600485 Pivotball threaded anti roll bar alu (2)
600622 Pivotball antirollbar alu (4)
600788 Steering arm 0 carbon (2) SRX8
600789 Steering arm 1 carbon (2) SRX8

600791 Steering arm 3 carbon (2) SRX8
600792 Steering arm 4 carbon (2) SRX8
600851 Wheelhexagon 0mm light (2) SRX8
600852 Wheelhexagon +1mm light (2) SRX8
600881 Antiroll bar front 3.0 mm
600887 Wishbone insert carbon FR Lower SRX8 (2)
600888 Wishbone insert carbon FR Upper SRX8
600965 Antiroll bar front 2.2 mm

600966 Antiroll bar front 2.4 mm SRX8 GT
600967 Antiroll bar front 2.6 mm SRX8 GT
600968 Antiroll bar front 2.8 mm SRX8 GT
601049 Shock Tower FR Straight arm SRX8
600821 Wheelhexagon +1mm (2) SRX8
01234 Adjustable casterblock mount 0deg L+R SRX8 GT
601235 Adjustable casterblock mount 2,5deg L+R SRX8 GT
601237 Adjustable casterblock mount 7,5deg L+R SRX8 GT

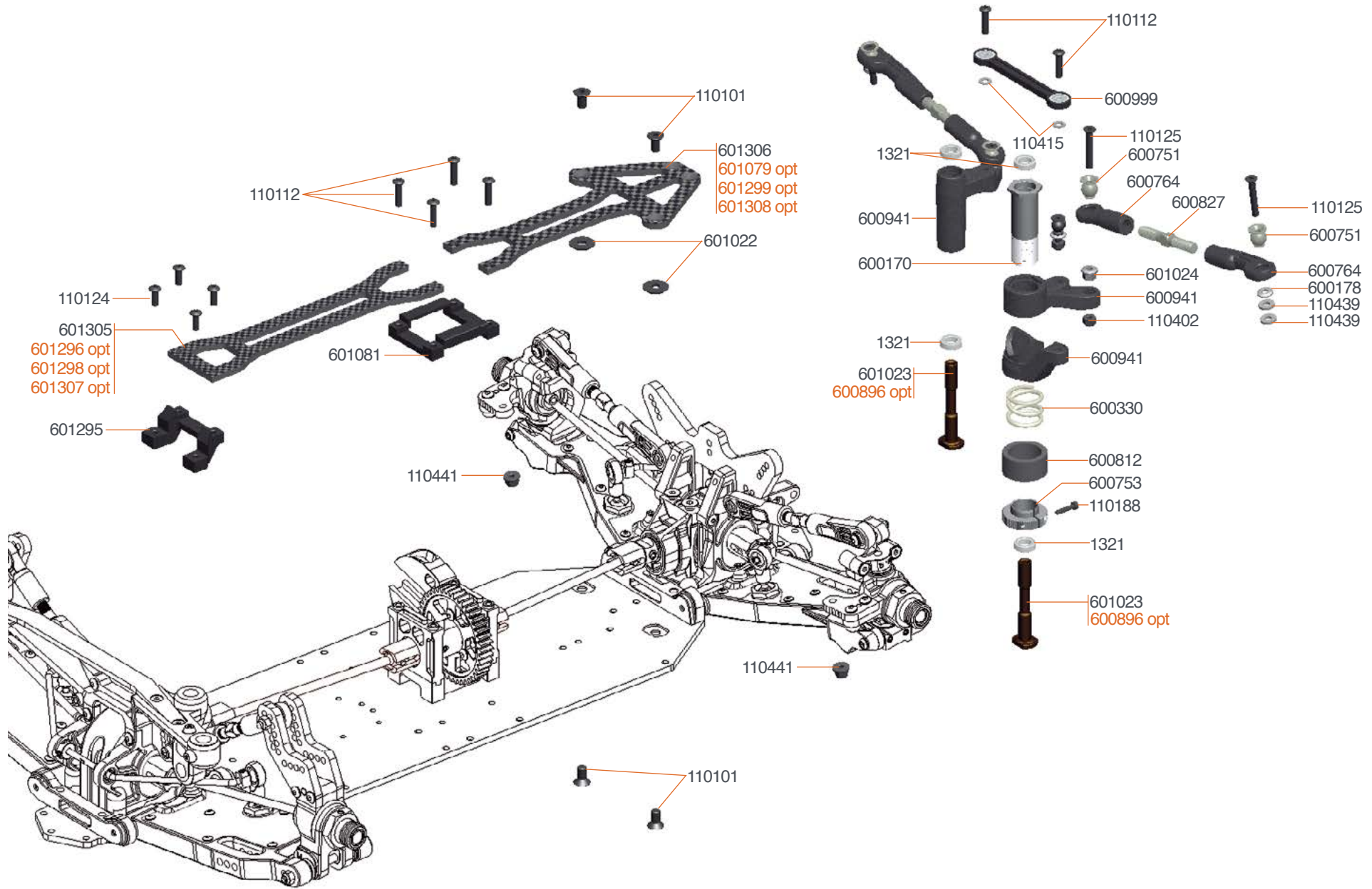
600240 opt
600241
600242 opt
600336 opt
600337 opt
600881 opt
600965 opt
600966 opt
600967 opt
600968 opt
110116
600192
600622 opt
601243
601243
110109
110167
600185
110402
600795
600828
601011
601068
601250 opt
601244
601240
601018
601153 opt
601018
601153 opt
110105
110191



STEERING EXPLODED VIEW

SRX8 GTE
LWB '23

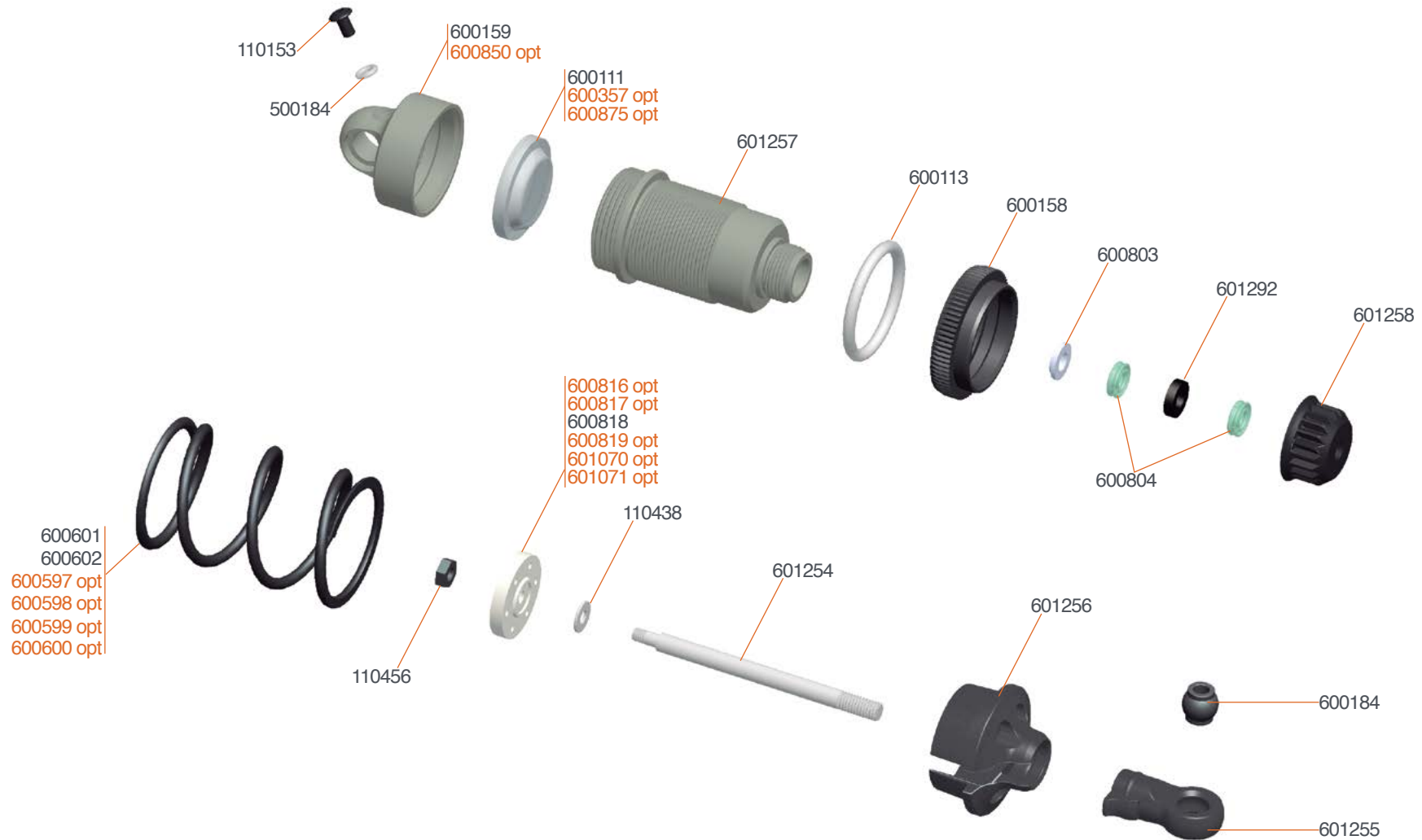
SERPENT



601079 Topdeck fr carbon SRX8 GTE
601157 Steering post alu SRX8 GT (2)
601296 Topdeck rr carbon SRX8 GTE '23

601298 Chassis link set rr SRX8 GTE '23
601299 Chassis link set fr SRX8 GTE '23
601307 Chassis link set rr SRX8 GTE LWB '23

601308 Chassis link set fr SRX8 GTE LWB '23



601253 Shock set (2) SRX8 GT V2

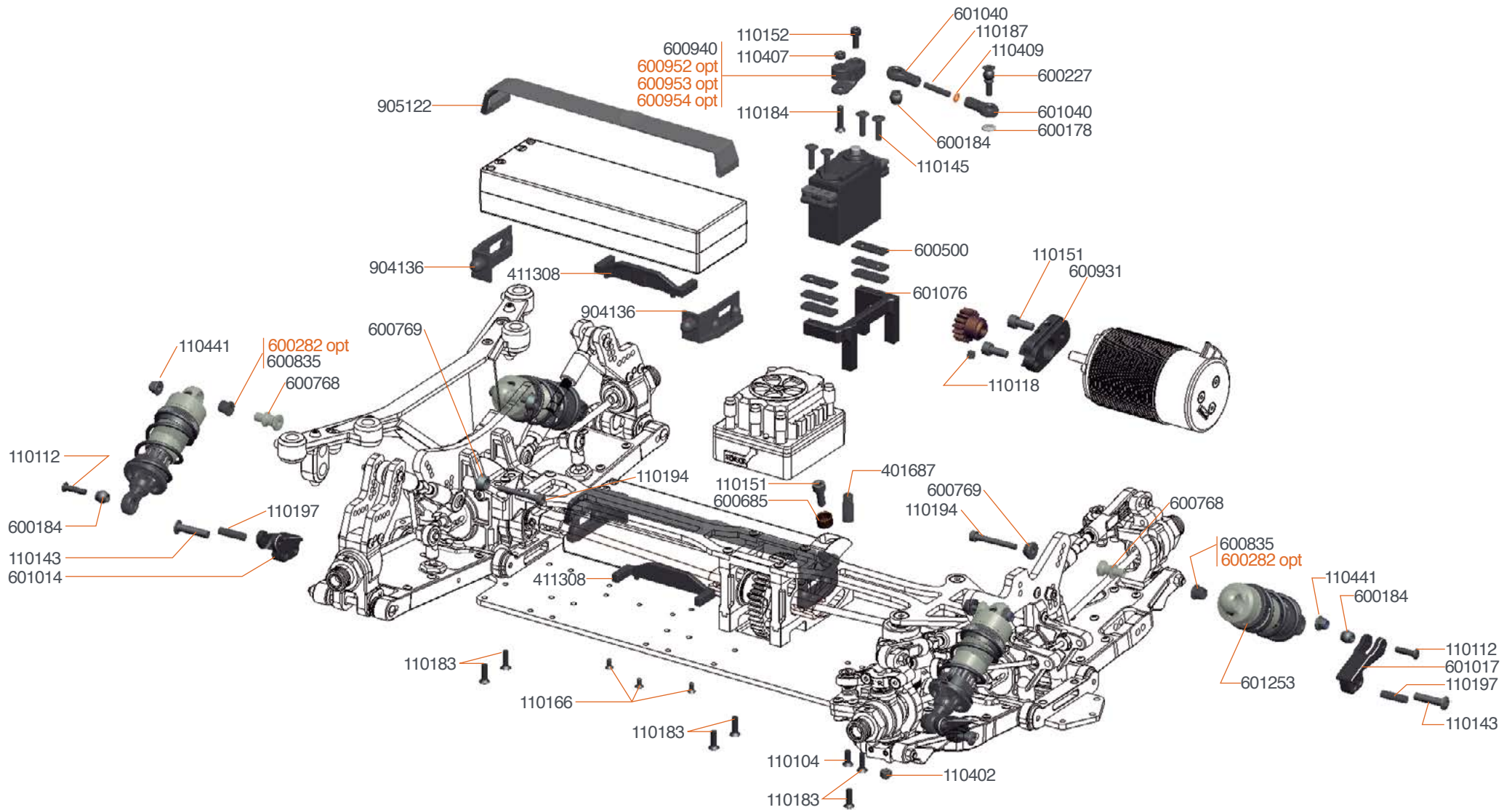


600597 Spring Fr/Rr Red 811GT 18lbs (2)
600598 Spring Fr/Rr Purple 811GT 21lbs
600599 Spring Fr/Rr Yellow 811GT 29lbs
600600 Spring Fr/Rr White 811GT 31.5lbs

600357 Membrane webbed silicone (4)
600875 Shock top gasket (4) SRX8
600850 Shock cap pro hard coated (2) SRX8
600816 Shock piston blank (4) SRX8

600817 Shock piston 5 holes (4) SRX8
600819 Shock piston 8 holes (4) SRX8
601070 Shock piston angled 1.2mm 8holes (4) SRX8

601071 Shock piston angled 1.3mm 8holes (4) SRX8



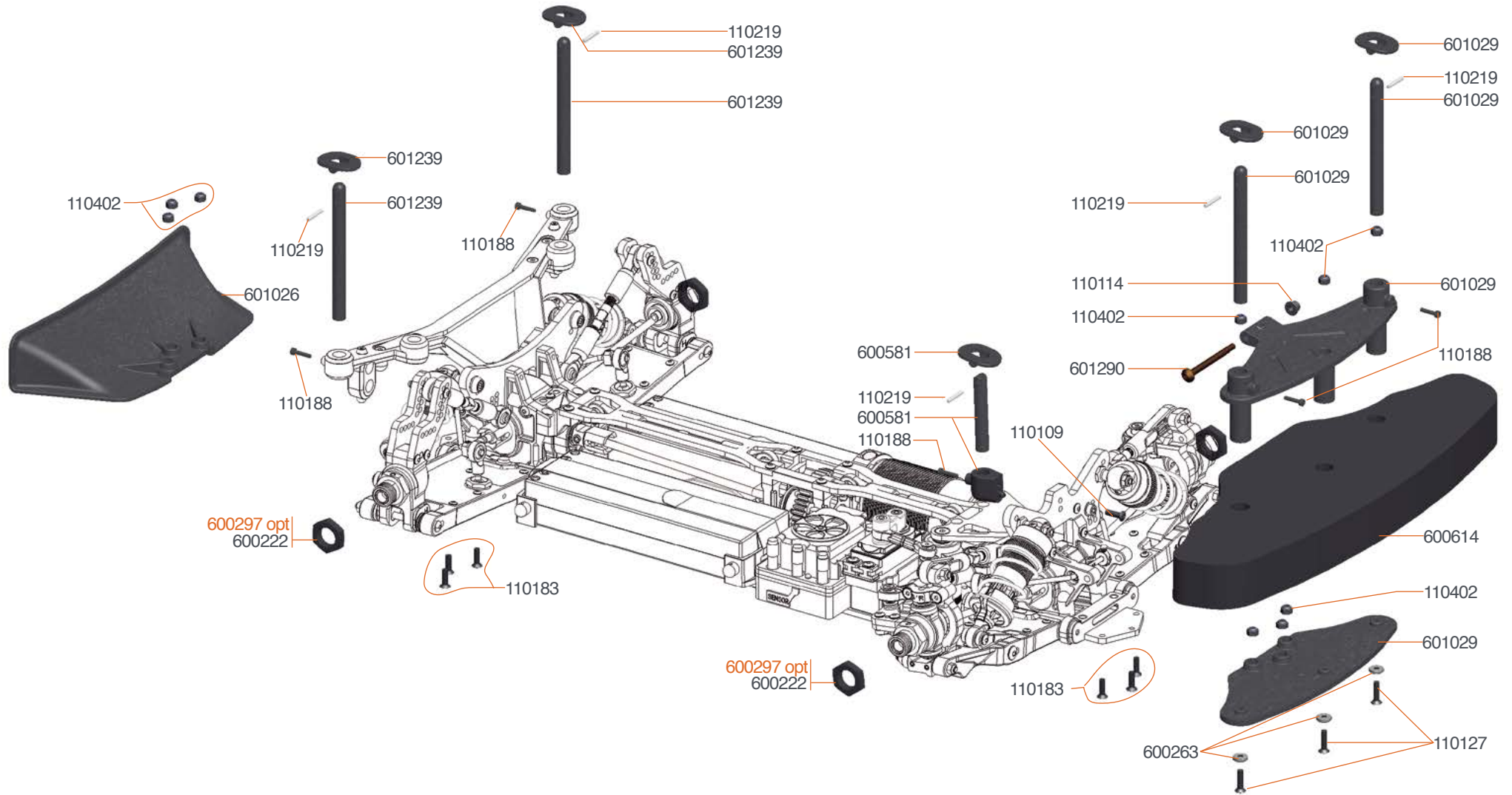
600282 Shock-pivot bushing delrin (4)
600952 Servo lever alu 23T SRX8E
600953 Servo lever alu 24T SRX8E

600954 Servo lever alu 25T SRX8E

FINAL 2 EXPLODED VIEW

SRX8 GT
LWB 23

SERPENT



600297 Wheel-nut 17mm flanged/light (4)
601050 Bumperplate carbon set SRX8 GT
601051 Bodypost brace carbon fr/r SRX8 GT

601269 Aero bumper set SRX8 GT
601276 Side bodymount set SRX8 GT

TEAM SERPENT NETWORK

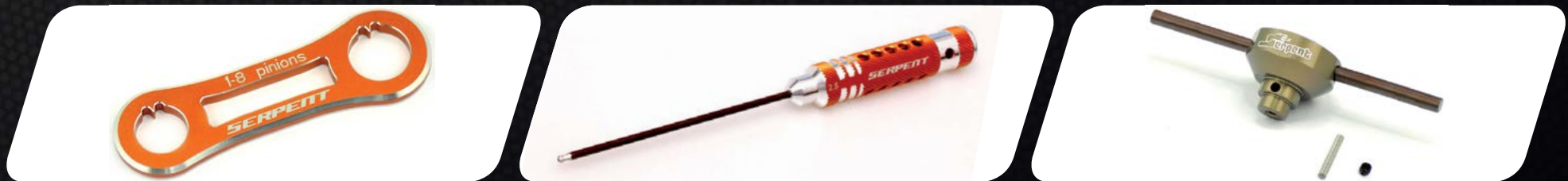
SRX8 GTE LWB '23 SPARE PARTS



SRX8 GTE LWB '23 OPTIONALS PARTS



SERPENT TOOLS



SERPENT MERCHANDISING



SERPENT WEBSITE AND BLOG

www.serpent.com

www.teamserpent.com

www.dragon-rc.com

SERPENT PROMO PAGES <http://promo.serpent.com>

SERPENT SOCIAL MEDIA



www.facebook.com/SerpentMRC

SRX8 GTE

LONG WHEEL BASE LWB '23



Manual SRX8 GTE LWB '23 #83658-1

SERPENT