

DRIVER, TRACK AND RESULTS

DRIVER _____ **COUNTRY** _____ **WEATHER** AIR TEMP _____ TRACK TEMP _____ DRY INTERMEDIATE WET
RACE _____ **DATE** _____ **QUALY POS.** _____ **STARTING POS.** _____ **FINAL POS.** _____ **FASTEST LAP** _____
TRACK _____ **TYPE** TIGHT MEDIUM OPEN **GRIP** LOW MEDIUM HIGH
SURFACE CONDITION SMOOTH ROUGH
TYPE HARD PACKED CLAY MULTI/SURFACE GRASS BLUE GROOVE DIRT ASTRO-TURF

FRONT SHOCK ABSORBERS		REAR	
cst	OIL		cst
SPRINGS			
mm	REBOUND		mm
N° HOLES	∅ mm	PISTONS	N° HOLES ∅ mm
<input type="checkbox"/> STRAIGHT <input type="checkbox"/> ANGLED	HOLES TYPE	<input type="checkbox"/> STRAIGHT <input type="checkbox"/> ANGLED	
<input type="checkbox"/> BLADDER <input type="checkbox"/> EMULSION	SEAL TYPE	<input type="checkbox"/> BLADDER <input type="checkbox"/> EMULSION	

ANTI-ROLL BARS

FRONT ANTI-ROLL BAR _____ mm REAR ANTI-ROLL BAR _____ mm

DIFFERENTIALS

FRONT DIFF <input type="checkbox"/> HTD <input type="checkbox"/> STD _____ cst	CENTER DIFF <input type="checkbox"/> HTD <input type="checkbox"/> STD _____ cst	REAR DIFF <input type="checkbox"/> HTD <input type="checkbox"/> STD _____ cst
--	---	---

GEARING

PINION _____ Teeth SPUR GEAR _____ Teeth

ELECTRONICS

BATTERY

BRAND _____ CAPACITY _____ mAh

MOTOR

BRAND _____ TYPE _____ TIMING _____

ESC

BRAND _____ TYPE _____

ELECTRONICS LAYOUTS

2S STICK BATTERIES
 2S SHORTY REARWARD BATTERIES
 2S SHORTY FORWARD BATTERIES

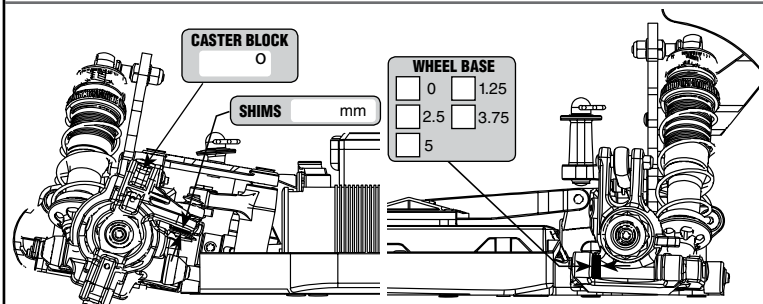
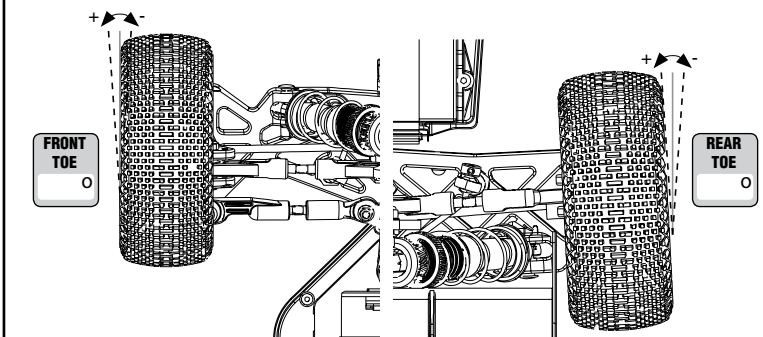
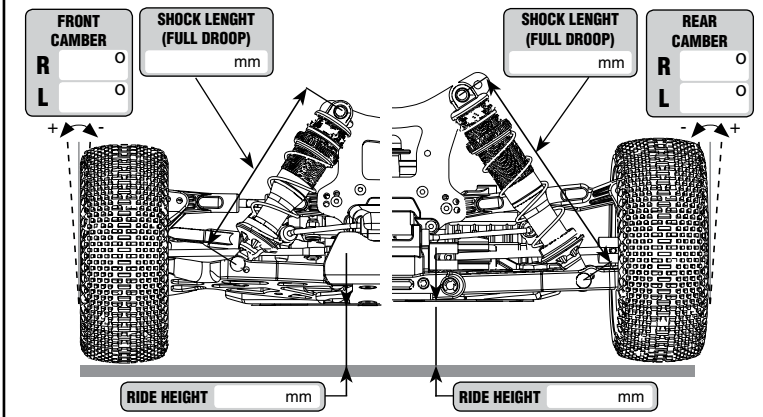
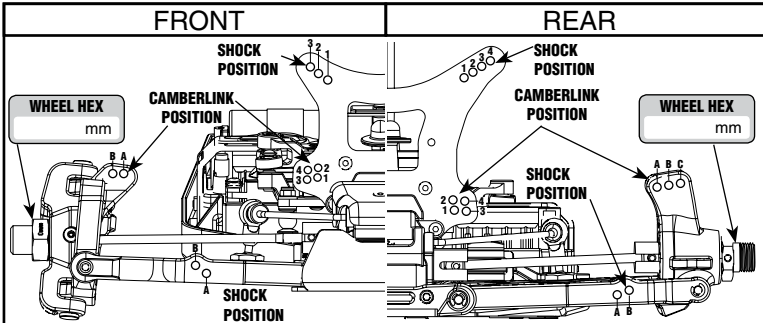
AERODYNAMIC CONFIGURATION

BODY STANDARD HIGH DOWNFORCE OTHER

WING

TYPE _____ WING PLATES 2° 4° 6°
 GURNEY STRIP YES NO CENTER FOIL YES NO

FRONT TIRES	Controlled Tire	REAR
MAKE	<input type="checkbox"/>	
TYPE		
INSERTS		
WHEELS		



REMARKS

